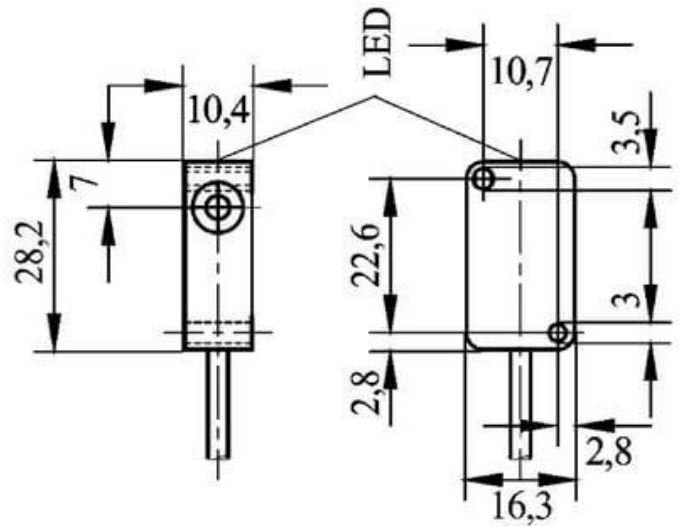


Inductive Proximity Sensors (DC Rectangular Sizes)

# IBHD3814

## R38 (PNP NO)



Connection:	300mm Kabel Stecker M8
Connection type:	cable w. plug M8
Outlet:	PNP NO
Design:	R38 (10x16x28)
Width:	10 mm
Installation type:	flush
Height:	16 mm
Short protection:	yes
Length:	28 mm
LED:	yes
No-load current:	10 mA
Nominal voltage:	24 VDC
Reproducibility:	1 %
Switching distance:	2 mm
Switching frequency:	800 Hz
Switching hysteresis:	15 %
Protection class:	IP 67
Voltage drop:	2,5 V
Voltage type:	VDC
Voltage range:	10 - 30 V
Ampacity:	200 mA
Temperature drift:	10 °C
Environment temperature:	-25 bis 70 °C
Material:	plastic

Further information about this product can be found on our website, please visit:

[https://schoenbuch-sensor.de/en/products/ibhd3814\\_en/](https://schoenbuch-sensor.de/en/products/ibhd3814_en/)