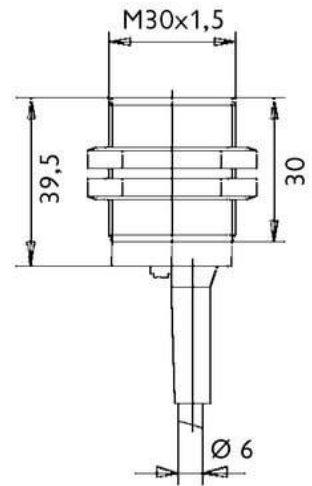


Inductive Proximity Sensors (DC Analog Output)

# IBCT3001

## M30 (analog output)



Connection:	2 m/3 x 0,34 mm <sup>2</sup>
Connection type:	cable
Outlet:	Analog Ausgang
Design:	M30
Diameter:	M30x1,5
Installation type:	flush
Short protection:	ja
Length:	40 mm
No-load current:	10 mA
Reproducibility:	0,001 %
Switching distance:	1 - 9 mm
Switching frequency:	300 Hz
Protection class:	IP 67
Voltage type:	VDC
Voltage range:	10 - 35 V
Temperature drift:	± 0,64 mA
Environment temperature:	-25 bis 70 °C
Material:	nickel plated brass

Further information about this product can be found on our website, please visit:

[https://schoenbuch-sensor.de/en/products/ibct3001\\_en/](https://schoenbuch-sensor.de/en/products/ibct3001_en/)