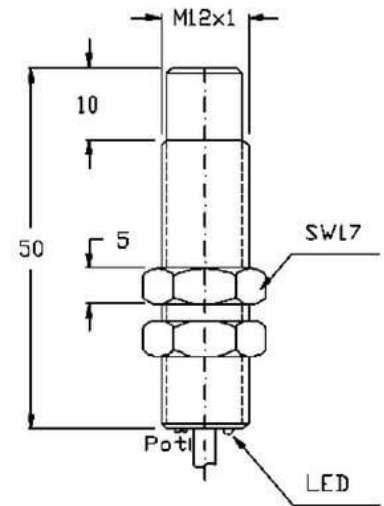


Capacitive Proximity Sensors (DC)

CNGT1212

M12 (NPN NO)



Connection:	2 m PUR/3 x 0,14 mm ²
Connection type:	cable
Outlet:	NPN NO
Design:	M12
Diameter:	12
Installation type:	non flush
Short protection:	yes
Length:	60 mm
LED:	yes
No-load current:	10 mA
Material (active surface):	plastic
Nominal voltage:	24 VDC
Reproducibility:	2 %
Switching distance:	1 - 8 mm
Switching frequency:	100 Hz
Switching hysteresis:	15 %
Protection class:	IP 65
Voltage drop:	2,4 V
Voltage type:	VDC
Voltage range:	10 - 35 V
Ampacity:	200 mA
Temperature drift:	15 °C
Environment temperature:	-30 bis 85 °C
Material:	plastic

Further information about this product can be found on our website, please visit:

https://schoenbuch-sensor.de/en/products/cngt1214_en/cngt1212_en/