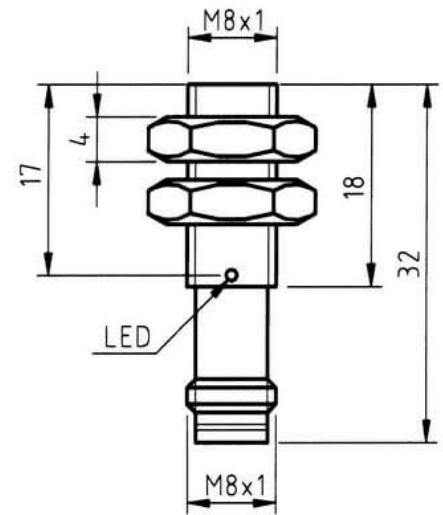


Inductive Proximity Sensors (DC Cylindric Sizes)

# IK3LD0813

## M8 (NPN NC)



Connection:	plug M8, 3-pin
Connection type:	plug M8
Outlet:	NPN NC
Design:	M8
Diameter:	M8x1
Installation type:	flush
Short protection:	yes
Length:	32 mm
LED:	yes
No-load current:	10 mA
Nominal voltage:	24 VDC
Reproducibility:	1 %
Switching distance:	3 mm
Switching frequency:	2000 Hz
Switching hysteresis:	15 %
Protection class:	IP 67
Voltage drop:	2 V
Voltage type:	VDC
Voltage range:	10 - 30 V
Ampacity:	200 mA
Temperature drift:	10 °C
Environment temperature:	-25 bis 70 °C
Material:	stainless steel

Further information about this product can be found on our website, please visit:

[https://schoenbuch-sensor.de/en/products/ik3ld0814\\_en/ik3ld0813\\_en/](https://schoenbuch-sensor.de/en/products/ik3ld0814_en/ik3ld0813_en/)