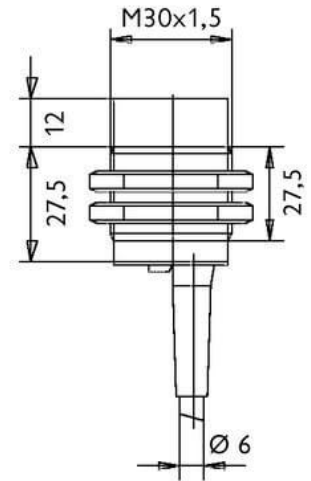


Inductive Proximity Sensors (DC NAMUR)

INAT3008

M30 (namur output)



Connection:	2 m/2 x 0,25 mm ²
Connection type:	cable
Outlet:	Namur Ausgang
Design:	M30
Diameter:	M30x1,5
Installation type:	non flush
Length:	40 mm
Reproducibility:	0,01 mm
Switching distance:	15 mm
Switching frequency:	500 Hz
Protection class:	IP 67
Voltage type:	VDC
Voltage range:	7,7 - 9 V
Temperature drift:	10 °C
Environment temperature:	-25 bis 60 °C
Material:	nickel plated brass

Further information about this product can be found on our website, please visit:

https://schoenbuch-sensor.de/en/products/inat3008_en/