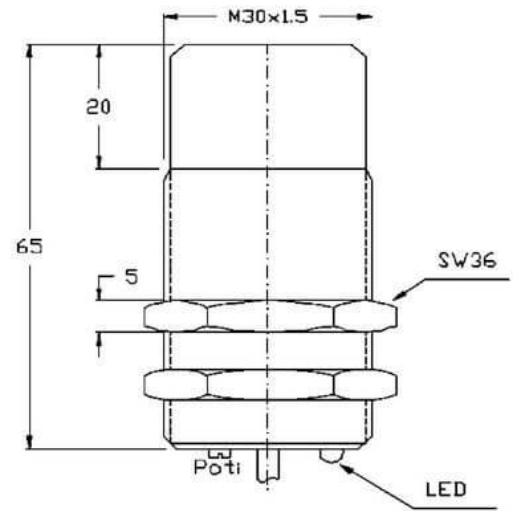


Capacitive Proximity Sensors (DC)

CNGT3014

M30 (PNP NO)



| | |
|--------------------------|---------------------------------|
| Connection: | 2 m PVC/3 x 0,5 mm ² |
| Connection type: | cable |
| Outlet: | PNP NO |
| Design: | M30 |
| Diameter: | M30x1,5 |
| Installation type: | non flush |
| Short protection: | yes |
| Length: | 65 mm |
| LED: | yes |
| No-load current: | 10 mA |
| Nominal voltage: | 24 VDC |
| Reproducibility: | 2 % |
| Switching distance: | 2 - 30 mm |
| Switching frequency: | 100 Hz |
| Switching hysteresis: | 15 % |
| Protection class: | IP 67 |
| Voltage drop: | 3 V |
| Voltage type: | VDC |
| Voltage range: | 10 - 35 V |
| Ampacity: | 300 mA |
| Temperature drift: | 15 °C |
| Environment temperature: | -30 bis 70 °C |
| Material: | plastic |

Further information about this product can be found on our website, please visit:

https://schoenbuch-sensor.de/en/products/cngt3014_en/