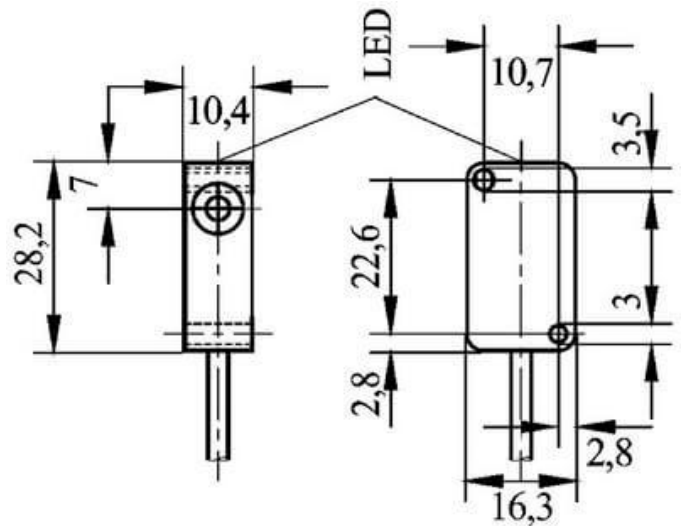


Inductive Proximity Sensors (DC Rectangular Sizes)

INHT3815

R38 (PNP NC)



| | |
|--------------------------|----------------------------------|
| Connection: | 2 m PVC/3 x 0,14 mm ² |
| Connection type: | cable |
| Outlet: | PNP NC |
| Design: | R38 (10x16x28) |
| Width: | 10 mm |
| Installation type: | non flush |
| Height: | 16 mm |
| Short protection: | yes |
| Length: | 28 mm |
| LED: | yes |
| No-load current: | 10 mA |
| Nominal voltage: | 24 VDC |
| Reproducibility: | 1 % |
| Switching distance: | 4 mm |
| Switching frequency: | 400 Hz |
| Switching hysteresis: | 15 % |
| Protection class: | IP 67 |
| Voltage drop: | 2,5 V |
| Voltage type: | VDC |
| Voltage range: | 10 - 30 V |
| Ampacity: | 200 mA |
| Temperature drift: | 10 °C |
| Environment temperature: | -25 bis 70 °C |
| Material: | plastic |

Further information about this product can be found on our website, please visit:

https://schoenbuch-sensor.de/en/products/inht3814_en/inht3815_en/