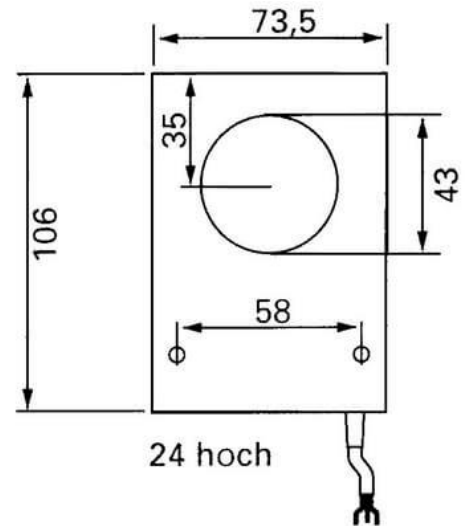


Inductive Proximity Sensors (Ring Initiators DC)

IRHE0414

ring initiator 43 (PNP NO)



Connection:	2 m PVC/3 x 0,34 mm ²
Connection type:	cable
Outlet:	PNP NO
Design:	Ringinitiator 43
Diameter:	43
Installation type:	non flush
Short protection:	yes
Length:	106 mm
No-load current:	10 mA
Nominal voltage:	24 VDC
Switching distance:	9 mm
Switching frequency:	500 Hz
Protection class:	IP 67
Voltage drop:	2,4 V
Voltage type:	VDC
Voltage range:	10 - 30 V
Ampacity:	200 mA
Environment temperature:	-10 bis 60 °C
Material:	plastic

Further information about this product can be found on our website, please visit:

https://schoenbuch-sensor.de/en/products/irhe0414_en/