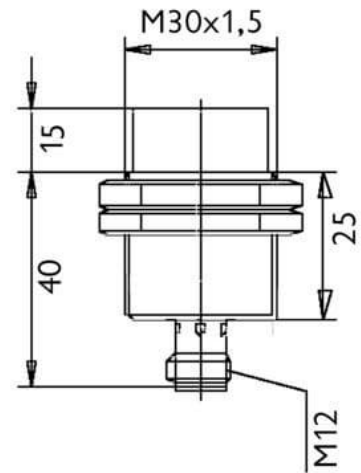


Inductive Proximity Sensors (DC Cylindric Sizes)

# IOLI3012

## M30 (NPN NO)



|                          |                     |
|--------------------------|---------------------|
| Connection:              | plug M12            |
| Connection type:         | plug M12            |
| Outlet:                  | NPN NO              |
| Design:                  | M30                 |
| Diameter:                | M30x1,5             |
| Installation type:       | non flush           |
| Short protection:        | yes                 |
| Length:                  | 55 mm               |
| LED:                     | yes                 |
| No-load current:         | 10 mA               |
| Nominal voltage:         | 24 VDC              |
| Reproducibility:         | 1 %                 |
| Switching distance:      | 15 mm               |
| Switching frequency:     | 150 Hz              |
| Switching hysteresis:    | 15 %                |
| Protection class:        | IP 67               |
| Voltage drop:            | 2,5 V               |
| Voltage type:            | VDC                 |
| Voltage range:           | 10 - 35 V           |
| Ampacity:                | 300 mA              |
| Temperature drift:       | 10 °C               |
| Environment temperature: | -25 bis 70 °C       |
| Material:                | nickel plated brass |

Further information about this product can be found on our website, please visit:

[https://schoenbuch-sensor.de/en/products/ioli3014\\_en/ioli3012\\_en/](https://schoenbuch-sensor.de/en/products/ioli3014_en/ioli3012_en/)