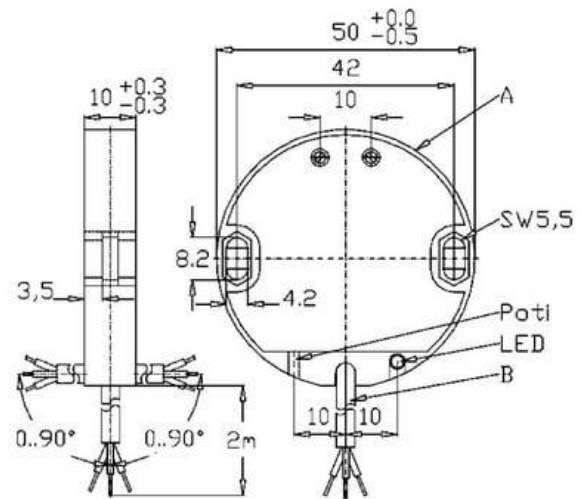


Capacitive Proximity Sensors (DC)

# CBHT5021

50 (PNP/NPN NO/NC programmable)



Connection:	2 m PUR/3 x 0,25 mm2
Connection type:	cabie
Outlet:	PNP/NPN NO/NC programmable
Design:	50
Diameter:	50
Installation type:	flush
Short protection:	yes
Length:	50 mm
LED:	yes
No-load current:	15 mA
Nominal voltage:	24 VDC
Reproducibility:	2 %
Switching distance:	2 - 25 mm
Switching frequency:	50 Hz
Switching hysteresis:	20 %
Protection class:	IP 67
Voltage drop:	3 V
Voltage type:	VDC
Voltage range:	10 - 30 V
Ampacity:	150 mA
Temperature drift:	10 °C
Environment temperature:	-30 bis 60 °C
Material:	PUM

Further information about this product can be found on our website, please visit:

[https://schoenbuch-sensor.de/en/products/cbht5021\\_en/](https://schoenbuch-sensor.de/en/products/cbht5021_en/)