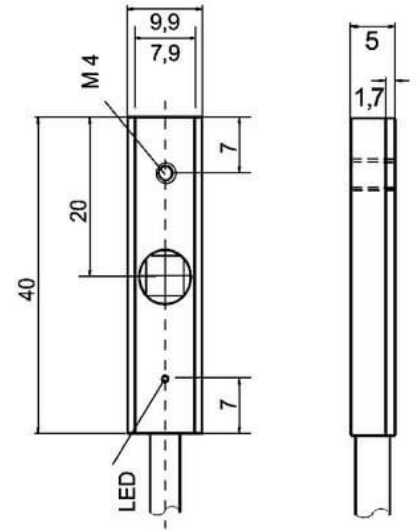


Inductive Proximity Sensors (DC Rectangular Sizes)

ICDM8512

R85 (NPN NO)



Connection:	2 m PVC/3 x 0,14 mm ²
Connection type:	cable
Outlet:	NPN NO
Design:	R85 (10x5x40)
Width:	9,9 mm
Installation type:	flush
Height:	5 mm
Short protection:	yes
Length:	40 mm
LED:	yes
No-load current:	10 mA
Nominal voltage:	24 VDC
Reproducibility:	1 %
Switching distance:	1,5 mm
Switching frequency:	2000 Hz
Switching hysteresis:	15 %
Protection class:	IP 67
Voltage drop:	2,5 V
Voltage type:	VDC
Voltage range:	10 - 30 V
Ampacity:	200 mA
Temperature drift:	10 °C
Environment temperature:	-25 bis 70 °C
Material:	Aluminium eloxiert

Further information about this product can be found on our website, please visit:

https://schoenbuch-sensor.de/en/products/icdm8514_en/icdm8512_en/