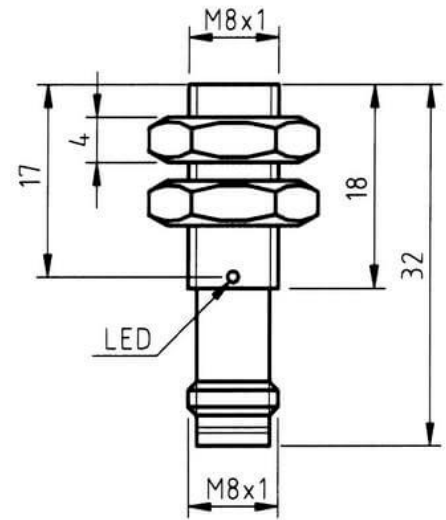


Inductive Proximity Sensors (DC Cylindric Sizes)

IK2LD0814

M8 (PNP NO)



| | |
|--------------------------|-----------------|
| Connection: | plug M8, 3-pin |
| Connection type: | plug M8 |
| Outlet: | PNP NO |
| Design: | M8 |
| Diameter: | M8x1 |
| Installation type: | flush |
| Short protection: | yes |
| Length: | 32 mm |
| LED: | yes |
| No-load current: | 10 mA |
| Nominal voltage: | 24 VDC |
| Reproducibility: | 1 % |
| Switching distance: | 2 mm |
| Switching frequency: | 2000 Hz |
| Switching hysteresis: | 15 % |
| Protection class: | IP 67 |
| Voltage drop: | 2 V |
| Voltage type: | VDC |
| Voltage range: | 10 - 30 V |
| Ampacity: | 200 mA |
| Temperature drift: | 10 °C |
| Environment temperature: | -25 bis 70 °C |
| Material: | stainless steel |

Further information about this product can be found on our website, please visit:

https://schoenbuch-sensor.de/en/products/ik2ld0814_en/