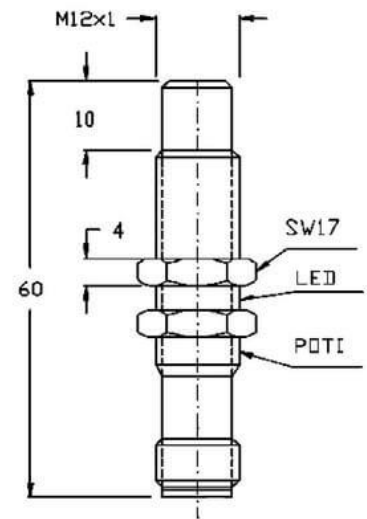


Capacitive Proximity Sensors (DC)

CNPI1214

M12 (PNP NO)



Connection:	plug M12
Connection type:	plug M12
Outlet:	PNP NO
Design:	M12
Diameter:	M12x1
Installation type:	non flush
Short protection:	yes
Length:	75 mm
LED:	yes
No-load current:	13 mA
Nominal voltage:	24 VDC
Switching distance:	1 - 8 mm
Switching frequency:	100 Hz
Protection class:	IP67
Voltage drop:	1,5 V
Voltage type:	VDC
Voltage range:	10 - 30 V
Ampacity:	100 mA
Environment temperature:	-25 bis 85 °C
Material:	plastic

Further information about this product can be found on our website, please visit:

https://schoenbuch-sensor.de/en/products/cnpi1214_en/