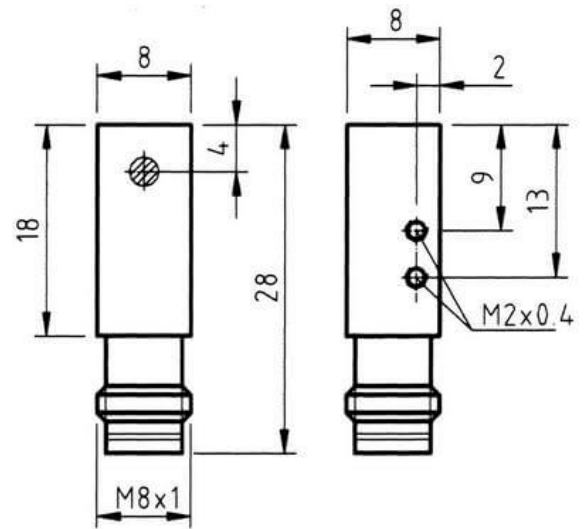


Inductive Proximity Sensors (DC Rectangular Sizes)

IK2MD8812

R88 (NPN NO)



Connection:	plug M8, 3-pin
Connection type:	plug M8
Outlet:	NPN NO
Design:	R88 (8x8x28)
Width:	8 mm
Installation type:	flush
Height:	8 mm
Short protection:	yes
Length:	28 mm
LED:	yes
No-load current:	10 mA
Nominal voltage:	24 VDC
Reproducibility:	1 %
Switching distance:	2 mm
Switching frequency:	2000 Hz
Switching hysteresis:	15 %
Protection class:	IP 67
Voltage drop:	1 V
Voltage type:	VDC
Voltage range:	10 - 30 V
Ampacity:	200 mA
Temperature drift:	10 °C
Environment temperature:	-25 bis 70 °C
Material:	nickel plated brass

Further information about this product can be found on our website, please visit:
https://schoenbuch-sensor.de/en/products/ik2md8814_en/ik2md8812_en/