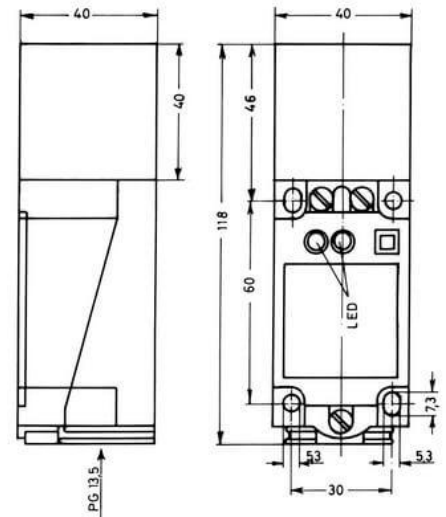


Inductive Proximity Sensors (AC Cylindric/rectangular Sizes)

INHK4035

R40 (AC programmable)



Connection:	Klemmbar, bis max. 2,5 mm ²
Connection type:	clamped
Outlet:	AC programmable
Design:	R40 (40x40x118)
Width:	40 mm
Installation type:	non flush
Height:	40 mm
Length:	118 mm
LED:	2 x
No-load current:	2,5 mA
Reproducibility:	0,1 mm
Switching distance:	30 mm
Switching frequency:	20 Hz
Switching hysteresis:	15 %
Protection class:	IP 68
Voltage drop:	12 V
Voltage type:	VAC
Voltage range:	20 - 250 V
Ampacity:	500 mA
Temperature drift:	10 °C
Environment temperature:	-25 bis 70 °C
Material:	PBT

Further information about this product can be found on our website, please visit:

https://schoenbuch-sensor.de/en/products/inhk4035_en/