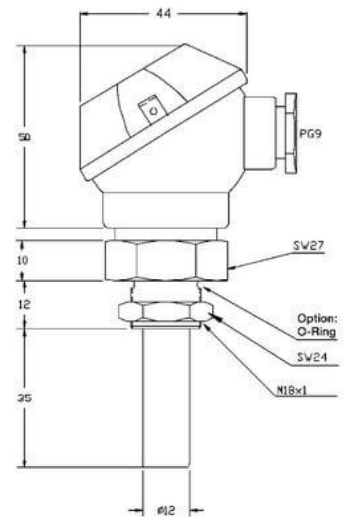


Capacitive Proximity Sensors (DC)

CFCK1813

M18 (NPN NC)



Connection:	klemmbar
Connection type:	clamped
Outlet:	NPN NC
Design:	M18
Diameter:	M18x1
Installation type:	non flush
Short protection:	yes
Length:	107 mm
LED:	* yes (-30 °C... +100 °C)
No-load current:	10 mA
Nominal voltage:	24 VDC
Reproducibility:	abhängig v. Medium
Switching frequency:	5 Hz
Switching hysteresis:	abhängig v. Medium
Protection class:	Klemmraum IP 67/Sonde IP 68 - 10 bar
Voltage drop:	3 V
Voltage type:	VDC
Voltage range:	10 - 35 V
Ampacity:	100 mA
Temperature drift:	abhängig v. Medium
Environment temperature:	-30 bis 125 °C
Material:	steel

Further information about this product can be found on our website, please visit:

https://schoenbuch-sensor.de/en/products/cfck1814_en/cfck1813_en/