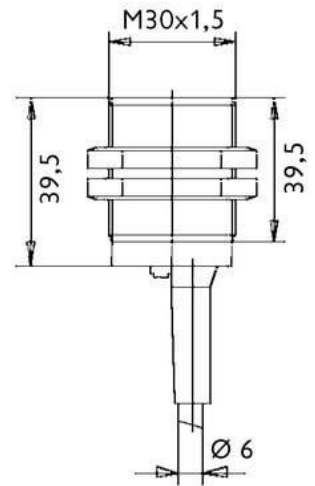


Inductive Proximity Sensors (DC NAMUR)

IBAT3008

M30 (namur output)



| | |
|--------------------------|------------------------------|
| Connection: | 2 m/2 x 0,25 mm ² |
| Connection type: | cable |
| Outlet: | Namur Ausgang |
| Design: | M30 |
| Diameter: | M30x1,5 |
| Installation type: | flush |
| Length: | 40 mm |
| Reproducibility: | 0,01 mm |
| Switching distance: | 10 mm |
| Switching frequency: | 500 Hz |
| Protection class: | IP 67 |
| Voltage type: | VDC |
| Voltage range: | 7,7 – 9 V |
| Temperature drift: | 10 °C |
| Environment temperature: | -25 bis 60 °C |
| Material: | nickel plated brass |

Further information about this product can be found on our website, please visit:

https://schoenbuch-sensor.de/en/products/ibat3008_en/