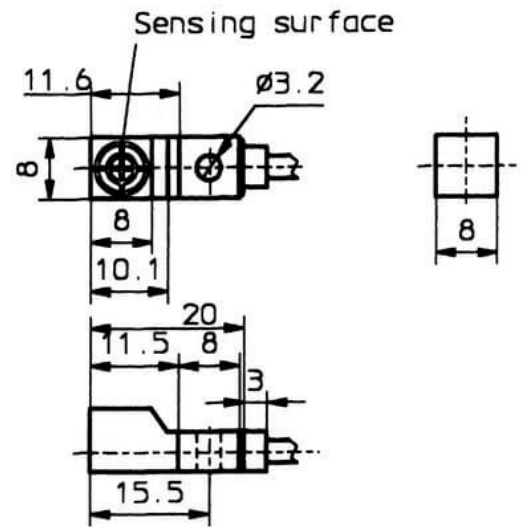


INH05714

R57 (PNP NO)



Connection:	2 m PVC/3 x 0,14 mm ²
Connection type:	cable
Outlet:	PNP NO
Design:	R57 (8x8x23)
Width:	8 mm
Installation type:	non flush
Height:	8 mm
Short protection:	yes
Length:	23 mm
LED:	yes
No-load current:	15 mA
Nominal voltage:	24 VDC
Reproducibility:	1 %
Switching distance:	2,5 mm
Switching frequency:	1000 Hz
Switching hysteresis:	15 %
Protection class:	IP 67
Voltage drop:	1 V
Voltage type:	VDC
Voltage range:	10 - 30 V
Ampacity:	50 mA
Temperature drift:	10 °C
Environment temperature:	-25 bis 70 °C
Material:	plastic

Further information about this product can be found on our website, please visit:

https://schoenbuch-sensor.de/en/products/inho5714_en/