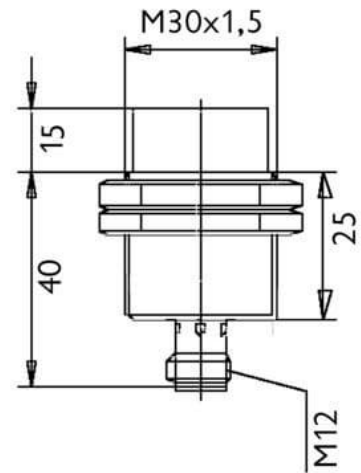


Inductive Proximity Sensors (DC Cylindric Sizes)

IOLI3013

M30 (NPN NC)



Connection:	plug M12
Connection type:	plug M12
Outlet:	NPN NC
Design:	M30
Diameter:	M30x1,5
Installation type:	non flush
Short protection:	yes
Length:	55 mm
LED:	yes
No-load current:	10 mA
Nominal voltage:	24 VDC
Reproducibility:	1 %
Switching distance:	15 mm
Switching frequency:	150 Hz
Switching hysteresis:	15 %
Protection class:	IP 67
Voltage drop:	2,5 V
Voltage type:	VDC
Voltage range:	10 - 35 V
Ampacity:	300 mA
Temperature drift:	10 °C
Environment temperature:	-25 bis 70 °C
Material:	nickel plated brass

Further information about this product can be found on our website, please visit:

https://schoenbuch-sensor.de/en/products/ioli3014_en/ioli3013_en/