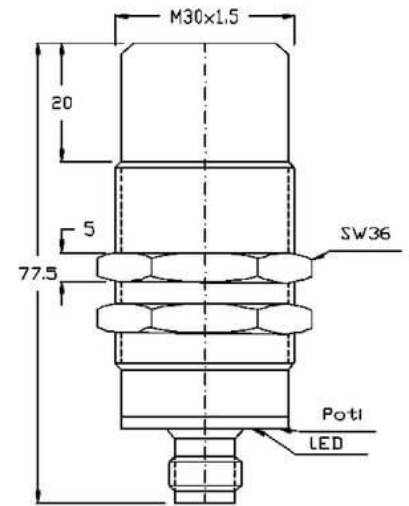


Capacitive Proximity Sensors (DC)

# CNLH3015

## M30 (PNP NC)



Connection:	plug M12
Connection type:	plug M12
Outlet:	PNP NC
Design:	M30
Diameter:	M30x1,5
Installation type:	non flush
Short protection:	yes
Length:	78 mm
LED:	yes
No-load current:	10 mA
Nominal voltage:	24 VDC
Reproducibility:	2 %
Switching distance:	2 - 30 mm
Switching frequency:	100 Hz
Switching hysteresis:	15 %
Protection class:	IP 67
Voltage drop:	3 V
Voltage type:	VDC
Voltage range:	10 - 35 V
Ampacity:	300 mA
Temperature drift:	15 °C
Environment temperature:	-30 bis 70 °C
Material:	nickel plated brass

Further information about this product can be found on our website, please visit:

[https://schoenbuch-sensor.de/en/products/cnlh3014\\_en/cnlh3015\\_en/](https://schoenbuch-sensor.de/en/products/cnlh3014_en/cnlh3015_en/)