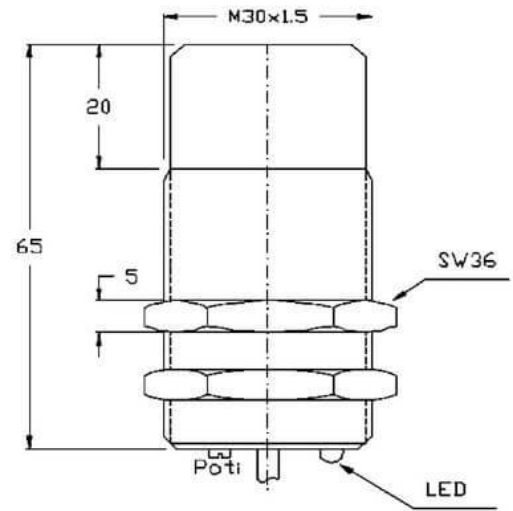


Capacitive Proximity Sensors (DC)

CNGT3015

M30 (PNP NC)



Connection:	2 m PVC/3 x 0,5 mm ²
Connection type:	cable
Outlet:	PNP NC
Design:	M30
Diameter:	M30x1,5
Installation type:	non flush
Short protection:	yes
Length:	65 mm
LED:	yes
No-load current:	10 mA
Nominal voltage:	24 VDC
Reproducibility:	2 %
Switching distance:	2 - 30 mm
Switching frequency:	100 Hz
Switching hysteresis:	15 %
Protection class:	IP 67
Voltage drop:	3 V
Voltage type:	VDC
Voltage range:	10 - 35 V
Ampacity:	300 mA
Temperature drift:	15 °C
Environment temperature:	-30 bis 70 °C
Material:	plastic

Further information about this product can be found on our website, please visit:

https://schoenbuch-sensor.de/en/products/cngt3014_en/cngt3015_en/