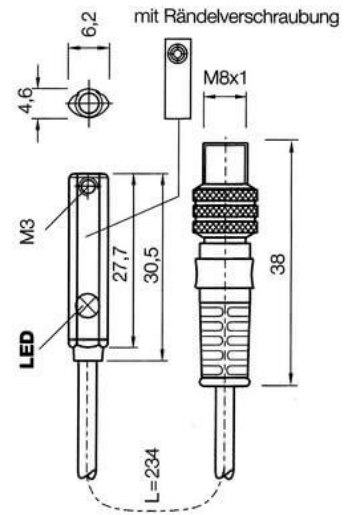


Magnetic Proximity Sensors (Magnetic Proximity Sensors Cylindric)

MBGR0614

6 (PNP NO)



Connection:	250mm PUR + plug M8
Connection type:	cable w. plug M8
Outlet:	PNP NO
Design:	6
Installation type:	T-Nut cylinder
Short protection:	yes
Length:	30,5 mm
LED:	yes
No-load current:	10 mA
Nominal voltage:	24 VDC
Reproducibility:	0,2 mm
Switching frequency:	5000 Hz
Switching hysteresis:	1,5 mm
Protection class:	IP 67
Voltage drop:	2 V
Voltage type:	VDC
Voltage range:	10 - 30 V
Ampacity:	100 mA
Temperature drift:	10 °C
Environment temperature:	-25 bis 75 °C
Material:	plastic

Further information about this product can be found on our website, please visit:

https://schoenbuch-sensor.de/en/products/mbgr0614_en/