



## Squeeze clamp

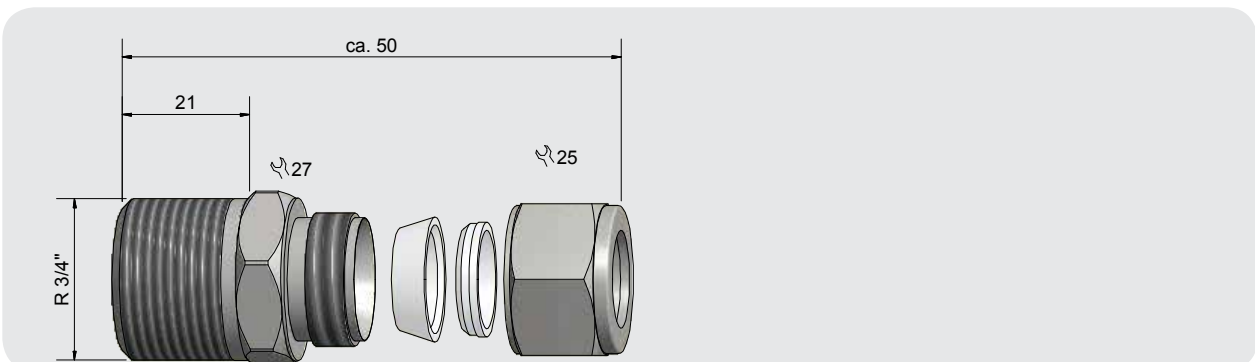
Process connection: R 3/4"

- Material: Stainless steel VA No. 1.4404 / AISI 316L
- For mounting capacitive probes (Ø 16 mm) without connection head
- With PTFE O-rings
- The PTFE O-rings allow the screw connection to be reopened and fixed in a different position on the probe.



Technical data	
Type	A-KLV-D16-R3/4-VAc/PTFE
Art.-No.	194 201
Material	VA, No. 1.4404 / AISI 316L, FDA-conforming
Process connection	R 3/4"
Applicable for capacitive level probes with diameter:	16 mm
Accessories (is delivered with the unit)	2 PTFE O-rings

All specifications are subject to change without notice. (04.03.2020)



**Made in Germany**