

Adapter Triclamp

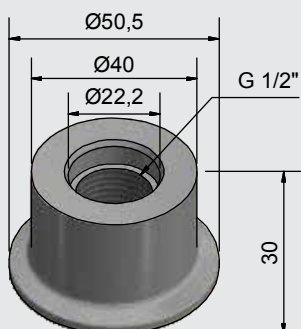
- Housing material: Stainless steel 1.4404 / AISI 316L
- Suitable for Triclamp DN25, DN32, DN40, according to standard DIN 32676, row A
- Suitable for our sensors with process connection G 1/2" of the LevelMaster, S26 and SmartPaddle series
- Hygienic construction and surface with low roughness Ra 0.8



Technical data

Type	A-Tri-G1/2-D50-VAc
Art.-No.	190 757
Material	VA 1.4404 / AISI 316L, FDA-conforming
Surface quality Ra, part in contact with the medium	0.8 µm

All specifications are subject to change without notice. (04.03.2020)



Made in Germany