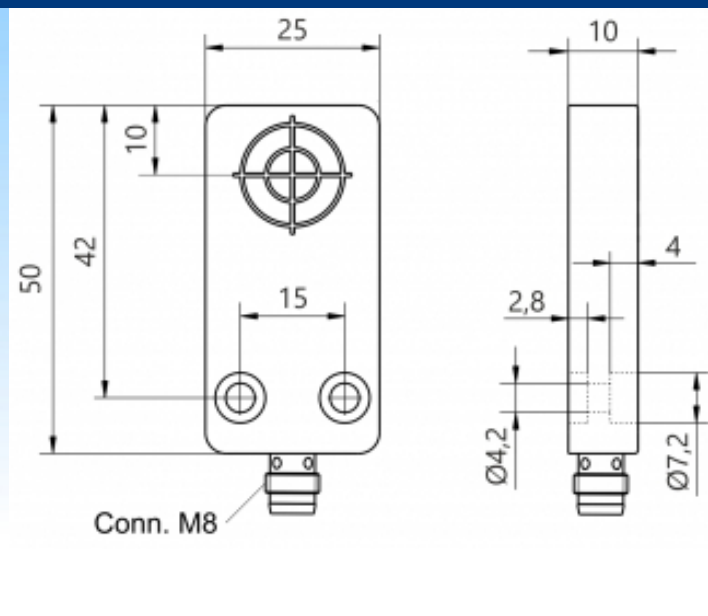




[Article Page](#)

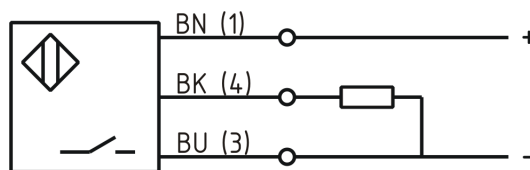
Product Description

inductive sensor DC



Name	KJ5-Q25KB-DPS-V1
Order number	08310000203
Switching distance	5 mm
Mounting	 shielded
Switch type	 N.O.
Signal Type	DC PNP
Connection	connector M8

Connection diagramm



Dimension (in mm)	Q 25 x 10 x 50
-------------------	----------------

Technical Specification

Operating voltage	10 - 30 VDC
Max. ripple	≤ 10 %
Voltage drop	2,4 V
Max. load current	200 mA
No load current	≤ 13 mA
Leakage current	≤ 10 µA
Switching frequency	1000
Switching hysteresis	≤ 15 %
Operating temperature	-25 ° C to 70 ° C
Temperature drift	≤ 10 %

Repeat accuracy	≤ 5 %
Switching state	LED
Short-circuit proof	yes
Overload protection	yes
Reverse voltage protection	yes
Protection category	IP 67
EMC-level	DIN EN 60947-5-2: 2008
Housing material	PA 6.6
Utilisation category	DC 13
Termination	Connector M8 3pin
FIT / MTTF	99,29 / 1150y

Errors and omissions exceptet