


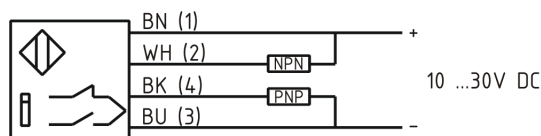


[Article Page](#)

Product Description	polarized reflex light barrier
Name	KORP2000-Q31KB-DMU-V1-RT
Order number	08362260021
Matchcode	MP-L2000D-CX6Q4UP-PF
Switch type	 Switchable
Signal Type	DC PNP/NPN
Illuminant	 Red light 650 nm
Connection	 Connector

Connection diagramm



Dimension (in mm) 12 x 31 x 30

Technical Specification

Signal type	Polarized retroreflective sensor
Operating voltage	10 - 30 V DC
Max. load current	150 mA
No load current	< 25 mA
Switching frequency	500
Operating temperature	-25 ° C to 70 ° C
Swiching state	LED
Digital output	
Measuring range	2 m
Sensitivity adjustable	ja
Sensing range adjustable	nein
Short-circuit proof	yes
Overload protection	yes
Reverse voltage protection	yes
Protection category	IP67
EMC-level	DIN EN 60947-5-2:2008
Housing material	Plastic
Termination	Connector M8 4pol

Errors and omissions exceptet