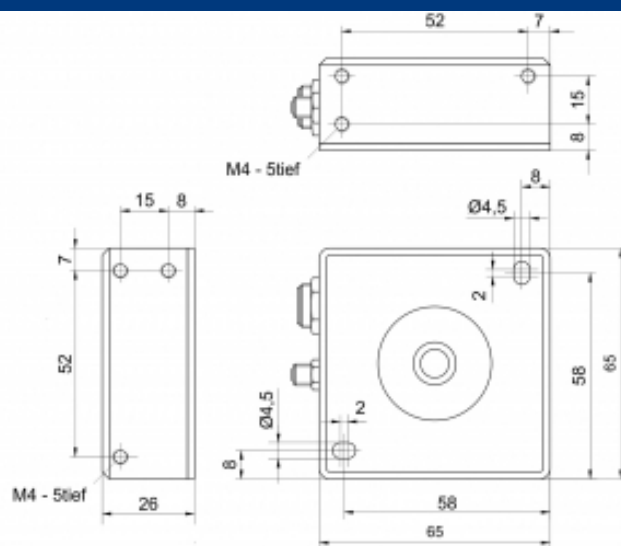





[Article Page](#)

**Product Description**

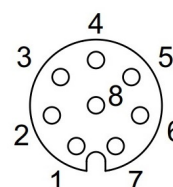
**color sensor**



|              |   |
|--------------|---|
| Name         | SPECTRO-3-50-DIL-JR   |
| Order number | 08386349743   |
| Switch type  |  digital      |
| Signal Type  | PNP/NPN   |
| Illuminant   |  White light |
| Connection   |  Socket      |

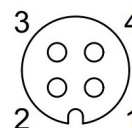
Polschema

SPS  
Binder 712, 8 pol.



- 1 wh GND (0V)
- 2 bn +24V DC (±10%)
- 3 gn IN 0
- 4 ye OUT 0
- 5 gy OUT 1
- 6 pk OUT 2
- 7 bu OUT 3
- 8 rd OUT 4

PC  
Binder 707, 4 pol.



- 1 +24V DC
- 2 GND (0V)
- 3 RxD
- 4 TxD

Dimension (in mm)

Q 65 x 26 x 65

**Technical Specification**

|                             |   |
|-----------------------------|---|
| Special features            | Reduction of gloss effect due to diffuse illumination, Color and gray scale detection   |
| Operating voltage           | 22,60 - 26,40 V DC  |
| Max. load current           | 100 mA  |
| No load current             | < 200 mA  |
| Switching frequency         | 35 kHz  |
| Temperature drift           | < 0,01 % / °C   |
| Repeat accuracy             | +/- 1 Digit in the x, y color range at 12 bit   |
| Digital output              | , OUT 0 ... OUT 4, digital (0V/+Ub), 100 mA max. switching current npn, pnp-output available (bright-, dark-switching can be switched over) |
| Natural extraneous light    | 5000 Lux in AC-mode   |
| Artificial extraneous light | 5000 Lux in AC-mode   |
| Material of light outlet    | Glas  |
| Impulse delay               | einstellbar/ adjustable 0 ms ... 100 ms   |
| Amplifying adjustable       | 8 fach/ 8-fold  |
| Tolerance limit adjustable  | ja  |
| Working range               | from 20 to 80 mm  |
| Short-circuit proof         | yes   |
| Overload protection         | yes   |
| Reverse voltage protection  | yes   |
| Protection category         | IP64 (Optik IP67)   |
| EMC-level                   | DIN EN 60947-5-2  |
| Housing material            | Aluminum  |
| Termination                 | connection to PLC: 8-pole fem. connector (Binder Series 712), connection to PC: 4-pole fem. connector (Binder Series 707)                   |

**Errors and omissions exceptet**