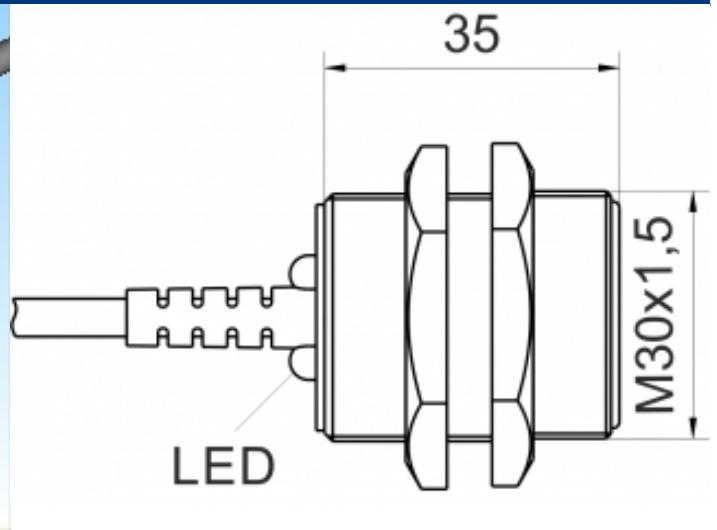


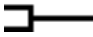


[Article Page](#)

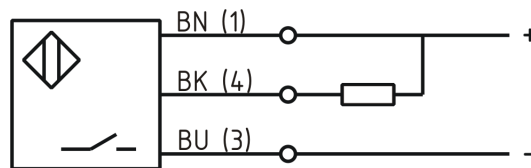
Product Description

inductive sensor DC



| | |
|--------------------|--|
| Name | KJ10-M30MB35-DNS |
| Order number | 08317862100 |
| Matchcode | 9986-2100 |
| Switching distance | 10 mm |
| Mounting |  shielded |
| Switch type |  N.O. |
| Signal Type | DC NPN |
| Connection |  Cable |

Connection diagramm



| | |
|-------------------|----------------------------|
| Dimension (in mm) | fine-pitch thread M30 x 35 |
|-------------------|----------------------------|

Technical Specification

| | |
|----------------------|--------------|
| Operating voltage | 10 - 30 V DC |
| Max. ripple | ≤ 10 % |
| Voltage drop | 2,4 V |
| Max. load current | 200 mA |
| No load current | ≤ 10 mA |
| Leakage current | ≤ 10 μA |
| Switching frequency | 500 Hz |
| Switching hysteresis | ≤ 15 % |

| | |
|----------------------------|------------------------|
| Operating temperature | -25 ° C to 70 ° C |
| Temperature drift | ≤ 10 % |
| Repeat accuracy | ≤ 10 % |
| Swiching state | LED |
| Short-circuit proof | yes |
| Overload protection | yes |
| Reverse voltage protection | yes |
| Protection category | IP67 |
| EMC-level | DIN EN 60947-5-2: 2008 |
| Housing material | Brass, nickel plated |
| Material active face | PA 6.6 sw |
| Cable length | 2 m |
| Utilisation category | DC 13 |
| Cable material | PVC grau LIYY |
| Cable cross | 3x0.34 mm ² |

Errors and omissions exceptet