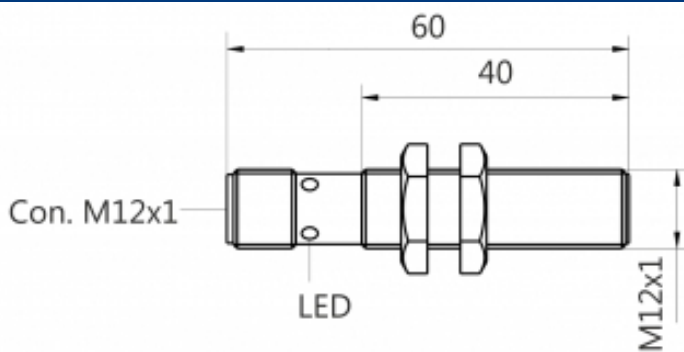
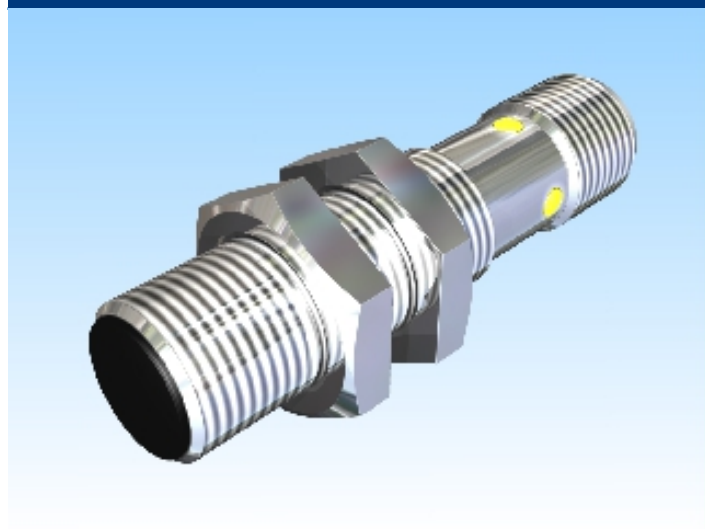




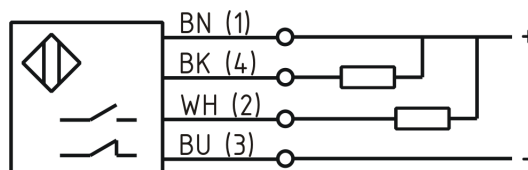
[Article Page](#)

Product Description

inductive sensor DC



| | |
|---------------------|--|
| Name | KJ2-M12MB60-DNA-V2 |
| Order number | 08310001524 |
| Switching distance | 2 mm |
| Mounting |  shielded |
| Switch type |  Changeover |
| Signal Type | DC NPN |
| Connection | connector M12 |
| Connection diagramm | |



| | |
|-------------------|----------------------------|
| Dimension (in mm) | fine-pitch thread M12 x 60 |
|-------------------|----------------------------|

Technical Specification

| | |
|-----------------------|-------------------|
| Operating voltage | 10 - 30 VDC |
| Max. ripple | ≤ 10 % |
| Voltage drop | 2,4 V |
| Max. load current | 200 mA |
| No load current | ≤ 13 mA |
| Leakage current | ≤ 10 μA |
| Switching frequency | 1000 Hz |
| Switching hysteresis | ≤ 15 % |
| Operating temperature | -25 ° C to 70 ° C |
| Temperature drift | ≤ 10 % |

| | |
|----------------------------------|-----------------------|
| Repeat accuracy | ≤ 10 % |
| Switching state | LED |
| Time delay | 100 ms |
| Short-circuit proof | yes |
| Overload protection | yes |
| Reverse voltage protection | yes |
| Protection category | IP67 |
| EMC-level | DIN EN 60947-5-2:2008 |
| Material active face | PA 6.6 |
| Utilisation category | DC 13 |
| Contact material | CU |
| Contact surface material | NiAu |
| Contact holder | Makrolon 2405 farblos |
| Termination | Connector M12 4pol |
| FIT / MTTF acc. to SIEMENS 29500 | 68,97 / 1655y |

Errors and omissions exceptet