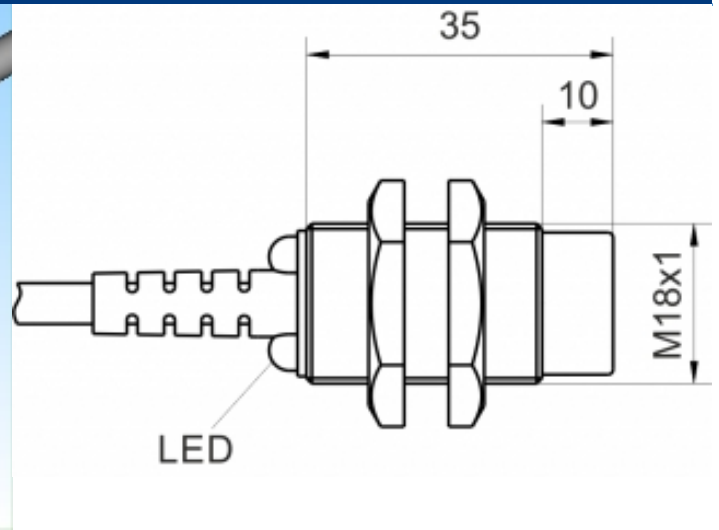
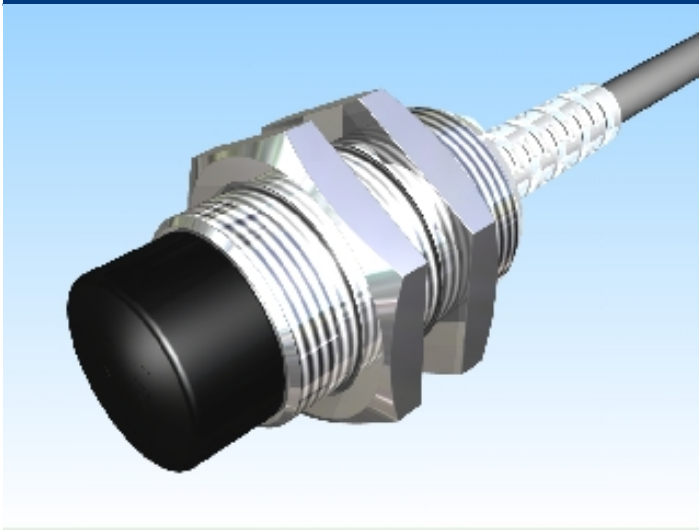


[Article Page](#)

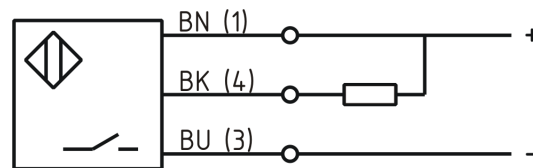
**Product Description**

**inductive sensor DC**



|                    |                 |
|--------------------|-----------------|
| Name               | KJ8-M18MN35-DNS |
| Order number       | 08317842300     |
| Matchcode          | 9984-2300       |
| Switching distance | 8 mm            |
| Mounting           | non shielded    |
| Switch type        | N.O.            |
| Signal Type        | DC NPN          |
| Connection         | Cable           |

Connection diagramm



|                   |                            |
|-------------------|----------------------------|
| Dimension (in mm) | fine-pitch thread M18 x 35 |
|-------------------|----------------------------|

**Technical Specification**

|                      |             |
|----------------------|-------------|
| Operating voltage    | 10 - 30 VDC |
| Max. ripple          | ≤ 10 %      |
| Voltage drop         | 2,4 V       |
| Max. load current    | 200 mA      |
| No load current      | ≤ 13 mA     |
| Leakage current      | ≤ 10 μA     |
| Switching frequency  | 500 Hz      |
| Switching hysteresis | ≤ 15 %      |

|                            |                        |
|----------------------------|------------------------|
| Operating temperature      | -25 ° C to 70 ° C      |
| Temperature drift          | ≤ 10 %                 |
| Repeat accuracy            | ≤ 10 %                 |
| Swiching state             | LED                    |
| Short-circuit proof        | yes                    |
| Overload protection        | yes                    |
| Reverse voltage protection | yes                    |
| Protection category        | IP67                   |
| EMC-level                  | DIN EN 60947-5-2: 2008 |
| Housing material           | Brass, nickel plated   |
| Material active face       | VALOX DR48             |
| Cable length               | 2 m                    |
| Cable material             | PVC grau LIYY          |
| Cable cross                | 3x0.34 mm <sup>2</sup> |

**Errors and omissions exceptet**