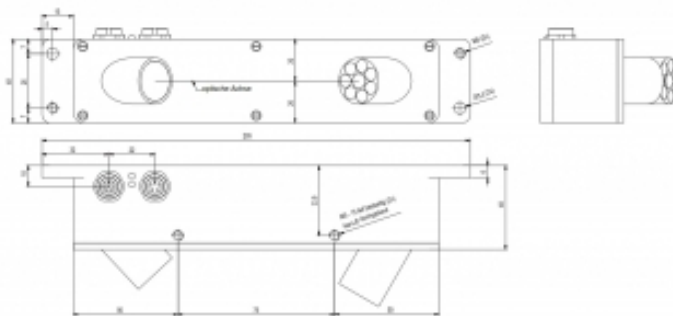
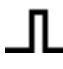

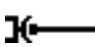


[Article Page](#)

**Product Description**

**laser copy counter**

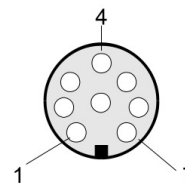


Name	LCC-80
Order number	08398409180
Switching distance	from 60 mm to 100 mm
Switch type	 digital
Signal Type	DC push-pull
Illuminant	 Laser 670 nm
Connection	 Socket

Polschema

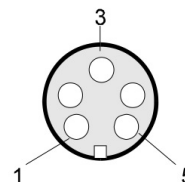
**SPS:**

Binder 712, 8 pol.



**PC:**

Binder 712, 5 pol.



Dimension (in mm)	Q 40 x 40 x 205
-------------------	-----------------

**Technical Specification**

Special features	Interface RS232
Operating voltage	12 - 30 V DC
Max. load current	100 mA
No load current	≤ 150 mA
Switching frequency	15 kHz

Operating temperature	-20 ° C to 50 ° C
Operating state	LED
Swiching state	LED
Laser power adjustable	via PC
Impulse delay	via PC
Comparator level adjustable	via PC
Sensitivity adjustable	via PC
Short-circuit proof	yes
Overload protection	yes
Reverse voltage protection	yes
Protection category	IP54
EMC-level	DIN EN 60947-5-2
Housing material	Aluminum
Connection to PLC: 8-pole fem. connector Binder Ser. 712	Pin, Color, Assignment: 1, White, GND (0V) / 2, brown, +24VDC ( $\pm 10\%$ ) / 3, green, IN0 / 4, yellow, IN1 / 5, Grey, OUT0 / 6, pink, OUT1 / 7, blue, n.c. / 8, red, n.c.
Connection to PC: 5-pole fem. connector Binder Ser. 712	Pin, Assignment: 1, GND (0V) / 2, TxD / 3, RxD / 4, +24V (+Ub, OUT) / 5, not connected /
Laser class	laser class 2 acc. to DIN EN 60825, 1 mW max. opt. power
Max. product stream	typ. 500 000 copies/h
Min. height of object	typ. 0.1 mm

**Errors and omissions exceptet**