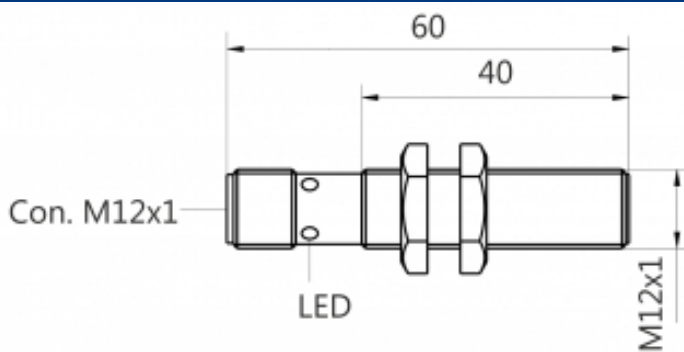
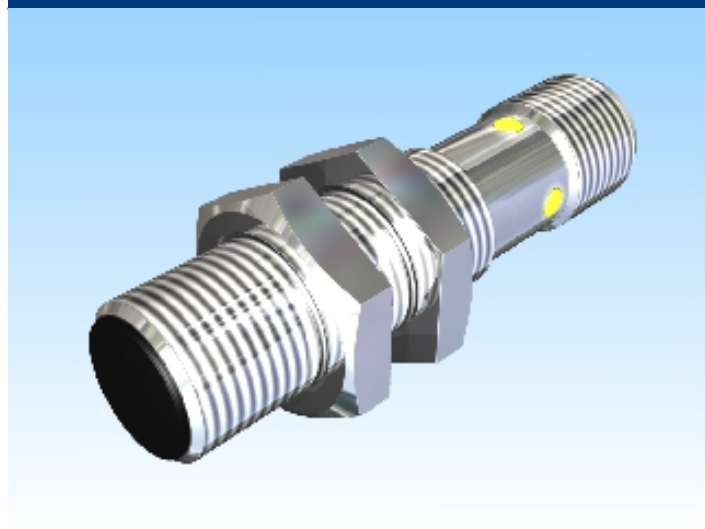




[Article Page](#)

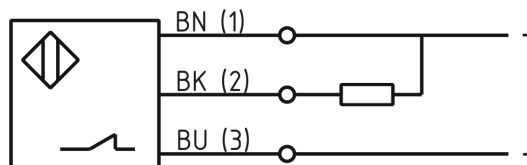
Product Description

inductive sensor DC



| | |
|--------------------|--|
| Name | KJ4-M12MB60-DNÖ-V2 |
| Order number | 08317821550 |
| Matchcode | 9982-1550 |
| Switching distance | 4 mm |
| Mounting |  shielded |
| Switch type |  N.C. |
| Signal Type | DC NPN |
| Connection | connector M12 |

Connection diagramm



| | |
|-------------------|----------------------------|
| Dimension (in mm) | fine-pitch thread M12 x 60 |
|-------------------|----------------------------|

Technical Specification

| | |
|-----------------------|-------------------|
| Operating voltage | 10 - 30 VDC |
| Max. ripple | ≤ 10 % |
| Voltage drop | 2,4 V |
| Max. load current | 200 mA |
| No load current | ≤ 13 mA |
| Leakage current | ≤ 10 µA |
| Switching frequency | 1000 Hz |
| Switching hysteresis | ≤ 15 % |
| Operating temperature | -25 ° C to 70 ° C |

| | |
|----------------------------------|------------------------------------|
| Temperature drift | ≤ 10 % |
| Repeat accuracy | ≤ 10 % |
| Swiching state | LED |
| Time delay | 100 ms |
| Short-circuit proof | yes |
| Overload protection | yes |
| Reverse voltage protection | yes |
| Protection category | IP67 |
| EMC-level | DIN EN 60947-5-2:2008 |
| Housing material | Brass, nickel plated |
| Material active face | Pocan KU 2-7503/1 + Batch RAL 9004 |
| Utilisation category | DC 13 |
| Contact material | Cu |
| Contact surface material | NiAu |
| Contact holder | Makrolon 2405 farblos |
| Termination | Connector M12 4pin |
| FIT / MTTF acc. to SIEMENS 29500 | 55,51 / 2056y |

Errors and omissions exceptet