

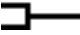
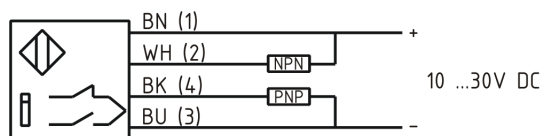


[Article Page](#)

| Product Description | polarized reflex light barrier |
|---------------------|--|
| Name | KORP2000-Q31KB-DMU-RT |
| Order number | 08362260017 |
| Matchcode | MP-L2000D-CX6C4U2-PF |
| Switch type |  Switchable |
| Signal Type | DC PNP/NPN |
| Illuminant |  Red light 650 nm |
| Connection |  Cable |

Connection diagramm



Dimension (in mm) 12 x 31 x 30

Technical Specification

| | |
|----------------------------|----------------------------------|
| Signal type | Polarized retroreflective sensor |
| Operating voltage | 10 - 30 V DC |
| Max. load current | 150 mA |
| No load current | < 25 mA |
| Switching frequency | 500 |
| Operating temperature | -25 ° C to 70 ° C |
| Swiching state | LED |
| Digital output | |
| Measuring range | 2 m |
| Sensitivity adjustable | ja |
| Sensing range adjustable | nein |
| Short-circuit proof | yes |
| Overload protection | yes |
| Reverse voltage protection | yes |
| Protection category | IP67 |
| EMC-level | DIN EN 60947-5-2:2008 |
| Housing material | Plastic |
| Termination | 2m PVC 4x0,5mm ² |

Errors and omissions exceptet