


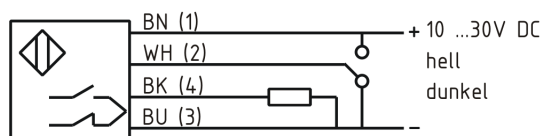


[Article Page](#)

Product Description		polarized reflex light barrier
Name	KORP1000-M12MB75-DPA-V2-RT	
Order number	08362245127	
Matchcode	M12B-L1000P-CX6Q4UE-PF	
Switch type	 Switchable	
Signal Type	DC PNP	
Illuminant	 Red light 650 nm	
Connection	 Connector	

Connection diagramm



Technical Specification	
Signal type	Polarized retroreflective sensor
Operating voltage	10 - 30 V DC
Max. load current	150 mA
No load current	< 30 mA
Switching frequency	500
Operating temperature	-25 ° C to 70 ° C
Swiching state	LED
Digital output	
Measuring range	2 m
Sensitivity adjustable	ja
Sensing range adjustable	nein
Short-circuit proof	yes
Overload protection	yes
Reverse voltage protection	yes
Protection category	IP67
EMC-level	DIN EN 60947-5-2:2008
Termination	connector M12 4pol

Errors and omissions exceptet