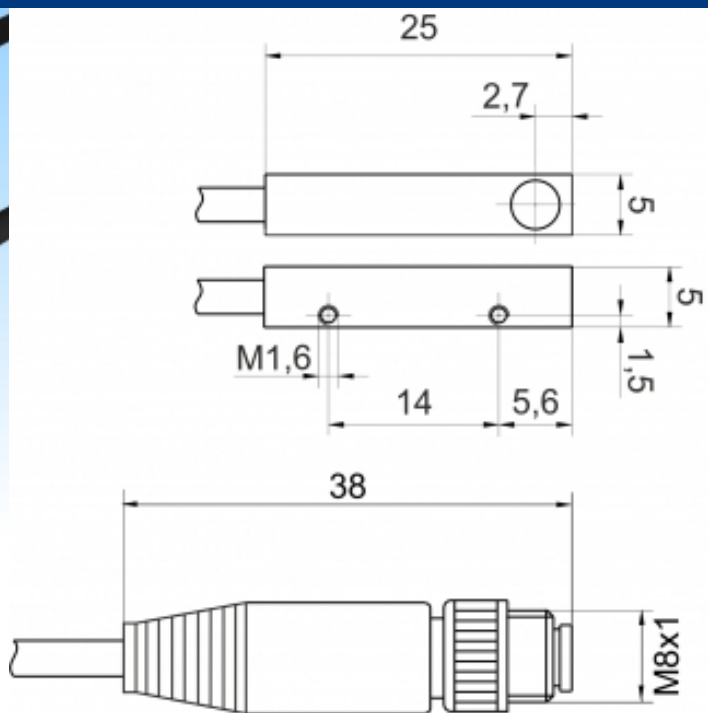


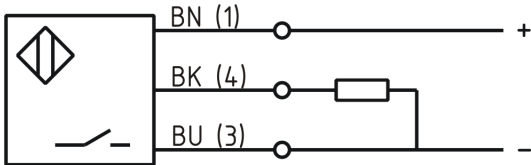


[Article Page](#)

Product Description

inductive sensor DC



Name	KJ1-Q5MB25-DPS-X0429
Order number	08313550160
Switching distance	1 mm
Mounting	 shielded
Switch type	 N.O.
Signal Type	DC PNP
Connection	connector M8
Connection diagramm	

Dimension (in mm)	Q 5 x 5 x 25
-------------------	--------------

Technical Specification

Operating voltage	10 - 30 VDC
Max. ripple	≤ 10 %
Voltage drop	2,4 V
Max. load current	200 mA
No load current	≤ 10 mA
Leakage current	≤ 10 μA

Switching frequency	2000 Hz
Switching hysteresis	≤ 15 %
Operating temperature	-25 ° C to 70 ° C
Temperature drift	≤ 10 %
Repeat accuracy	≤ 5 %
Switching state	LED
Time delay	100 ms
Short-circuit proof	yes
Overload protection	yes
Reverse voltage protection	yes
Protection category	IP67
EMC-level	DIN EN 60947-5-2:2008
Housing material	Brass, nickel plated
Material active face	PBT
Cable length	300 mm
Utilisation category	DC 13
Contact material	CuSn
Contact surface material	NiAu
Contact holder	TPU
Cable material	PUR LIFY11Y schwarz
Cable cross	3x0,14 mm ²
Termination	Pigtail M8
FIT / MTTF acc. to SIEMENS 29500	39,06 / 2923y

Errors and omissions excepted