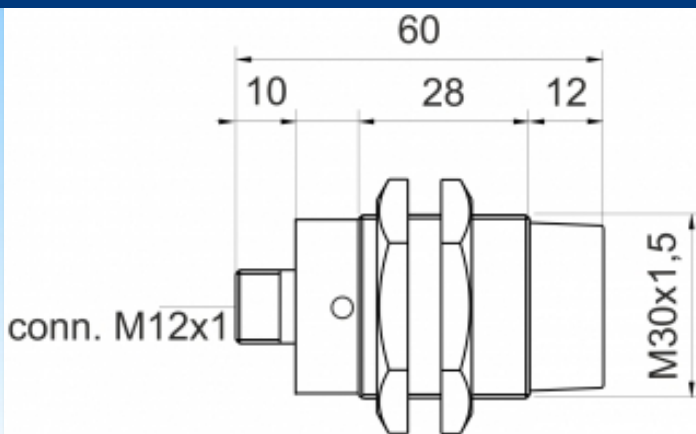
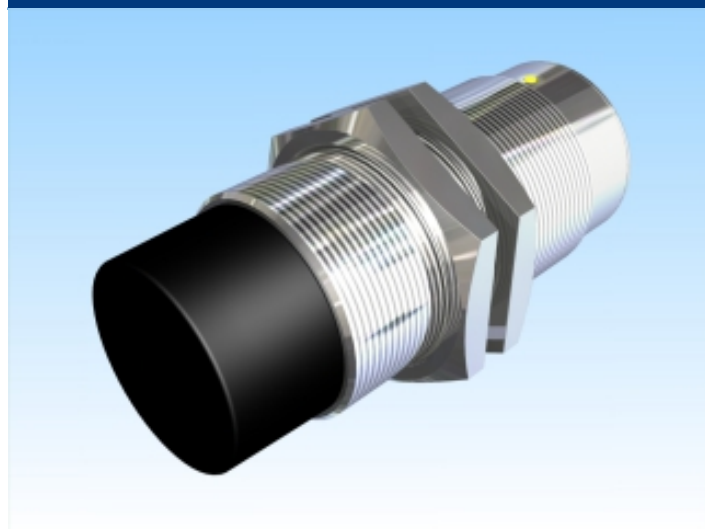




[Article Page](#)

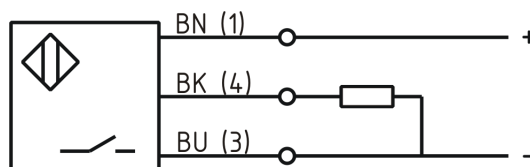
**Product Description**

**inductive sensor temperature immune**



Name	KJ15-M30MN60-DPS-V2-T
Order number	08317666165
Matchcode	9966-6165
Switching distance	15 mm
Mounting	 non shielded
Switch type	 N.O.
Signal Type	DC PNP
Connection	connector M12

Connection diagramm



Dimension (in mm)	fine-pitch thread M30 x 60
-------------------	----------------------------

**Technical Specification**

Special features	temperature resistant up to 100°C
Operating voltage	10 - 30 V DC
Max. ripple	≤ 10 %
Voltage drop	2,4 V
Min. load current	10 mA
Max. load current	200 mA
No load current	≤ 0,01 mA
Switching frequency	300 Hz
Switching hysteresis	≤ 15 %

Operating temperature	-40 ° C to 100 ° C
Temperature drift	≤ 10 %
Repeat accuracy	≤ 10 %
Swiching state	LED
Time delay	300 ms
Short-circuit proof	yes
Overload protection	yes
Reverse voltage protection	yes
Protection category	IP67
EMC-level	DIN EN 60947-5-2:2008
Housing material	Brass, nickel plated
Material active face	Ultramid B3ZG3
Utilisation category	DC 13
Contact material	CuSn
Contact surface material	NiAu
Contact holder	PA 6
Nominal operating voltage	24 V DC
Termination	Connector M12 4pin
FIT / MTTF acc. to SIEMENS 29500	53,48 / 2315y

**Errors and omissions exceptet**