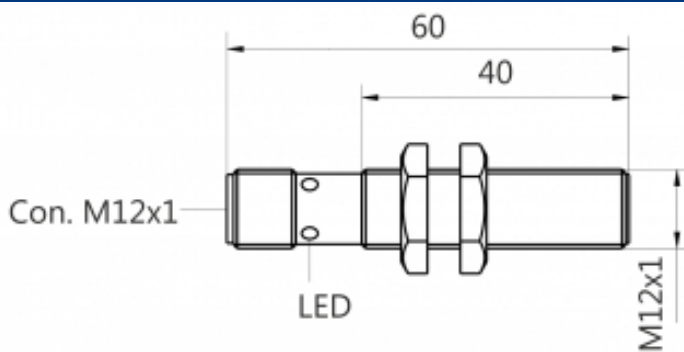
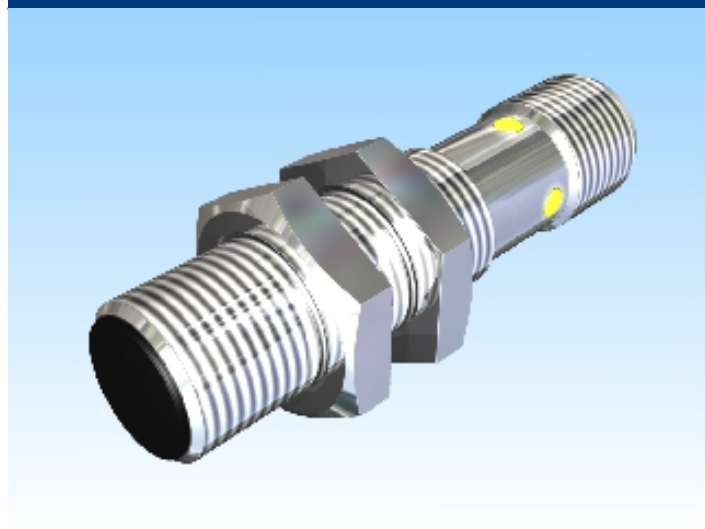




[Article Page](#)

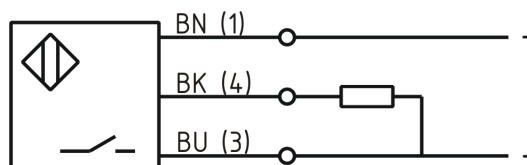
Product Description

inductive sensor temperature immune



Name	KJ2-M12MB60-DPS-V2-T
Order number	08317626065
Matchcode	9962-6065
Switching distance	2 mm
Mounting	 shielded
Switch type	 N.O.
Signal Type	DC PNP
Connection	connector M12

Connection diagramm



Dimension (in mm)	fine-pitch thread M12 x 60
-------------------	----------------------------

Technical Specification

Special features	temperature resistant up to 100°C
Operating voltage	10 - 30 V DC
Max. ripple	≤ 10 %
Voltage drop	2,4 V
Max. load current	200 mA
No load current	≤ 10 mA
Leakage current	≤ 10 μA
Switching frequency	1000 Hz
Switching hysteresis	≤ 15 %

Operating temperature	-40 ° C to 100 ° C
Temperature drift	≤ 10 %
Repeat accuracy	≤ 10 %
Swiching state	LED
Time delay	300 ms
Short-circuit proof	yes
Overload protection	yes
Reverse voltage protection	yes
Protection category	IP67
EMC-level	DIN EN 60947-5-2:2008
Material active face	PCB
Utilisation category	DC 13
Contact material	CuSn
Contact surface material	NiAu
Contact holder	PA 6
Nominal operating voltage	24 V DC
Termination	Connector M12 4pin
FIT / MTTF acc. to SIEMENS 29500	77,65 / 1470y

Errors and omissions exceptet