


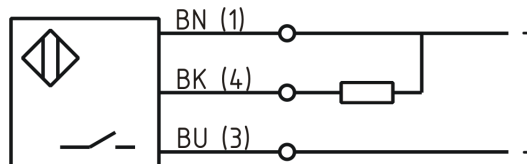


[Article Page](#)

Product Description **inductive sensor metal face DC**

Name	SJD10-M30EB80-DNS-V2
Order number	08313301131
Switching distance	10 mm
Mounting	 shielded
Switch type	 - N.O.
Signal Type	DC NPN
Connection	 Connector

Connection diagramm



Technical Specification

Operating voltage	10 - 30 V DC
Max. ripple	≤ 10 %
Voltage drop	1,5 V
Max. load current	200 mA
No load current	≤ 10 mA
Leakage current	≤ 10 µA
Switching frequency	300
Switching hysteresis	≤ 15 %
Operating temperature	-25 ° C to 70 ° C
Temperature drift	≤ 10 %
Repeat accuracy	≤ 1 %
Switching state	LED
Digital output	
Short-circuit proof	yes
Overload protection	yes
Reverse voltage protection	yes
Protection category	IP67
EMC-level	DIN EN 60947-5-2:2008
Housing material	Stainless steel V2A
Termination	Connector M12 4pol

Errors and omissions exceptet