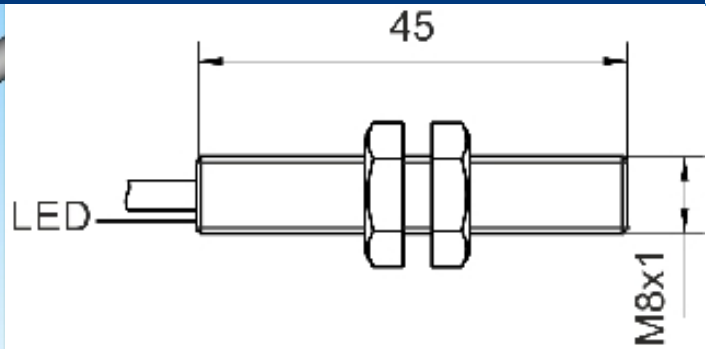
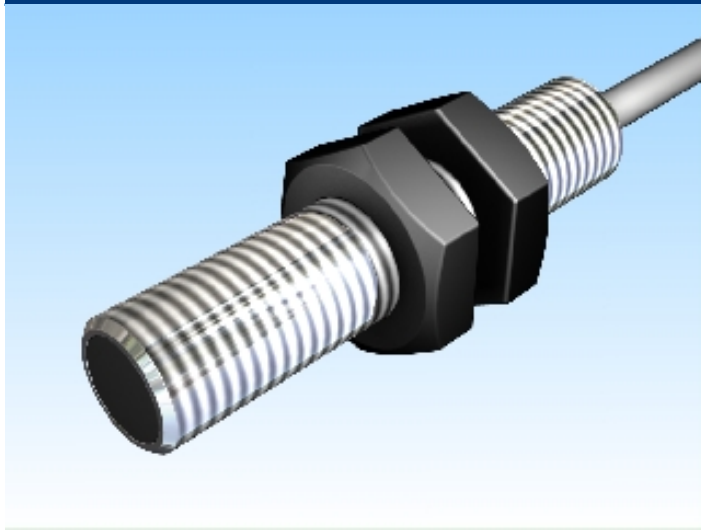


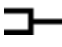


[Article Page](#)

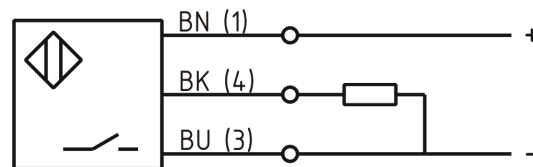
Product Description

inductive sensor temperature immune



Name	KJ1,5-M8MB45-DPS-T
Order number	08317616010
Switching distance	1,5 mm
Mounting	 shielded
Switch type	 N.O.
Signal Type	DC PNP
Connection	 Cable

Connection diagramm



Dimension (in mm)	fine-pitch thread M8 x 45
-------------------	---------------------------

Technical Specification

Special features	temperature-resistant up to 100°C
Operating voltage	10 - 30 V DC
Max. ripple	≤ 10 %
Voltage drop	2,4 V
Max. load current	200 mA
No load current	≤ 10 mA
Leakage current	≤ 10 µA
Switching frequency	2000
Switching hysteresis	≤ 15 %

Operating temperature	-40 ° C to 100 ° C
Temperature drift	≤ 10 %
Repeat accuracy	≤ 10 %
Swiching state	LED
Time delay	100 ms
Short-circuit proof	yes
Overload protection	yes
Reverse voltage protection	yes
Protection category	IP67
EMC-level	DIN EN 60947-5-2:2008
Housing material	Brass, nickel plated
Material active face	PCB
Cable length	2 m
Utilisation category	DC 13
Cable material	PVC LIYY grau (grey)
Nominal operating voltage	24 V DC
Cable cross	3x0.14 mm ²
FIT / MTTF acc. to SIEMENS 29500	44,83 / 2546y

Errors and omissions exceptet