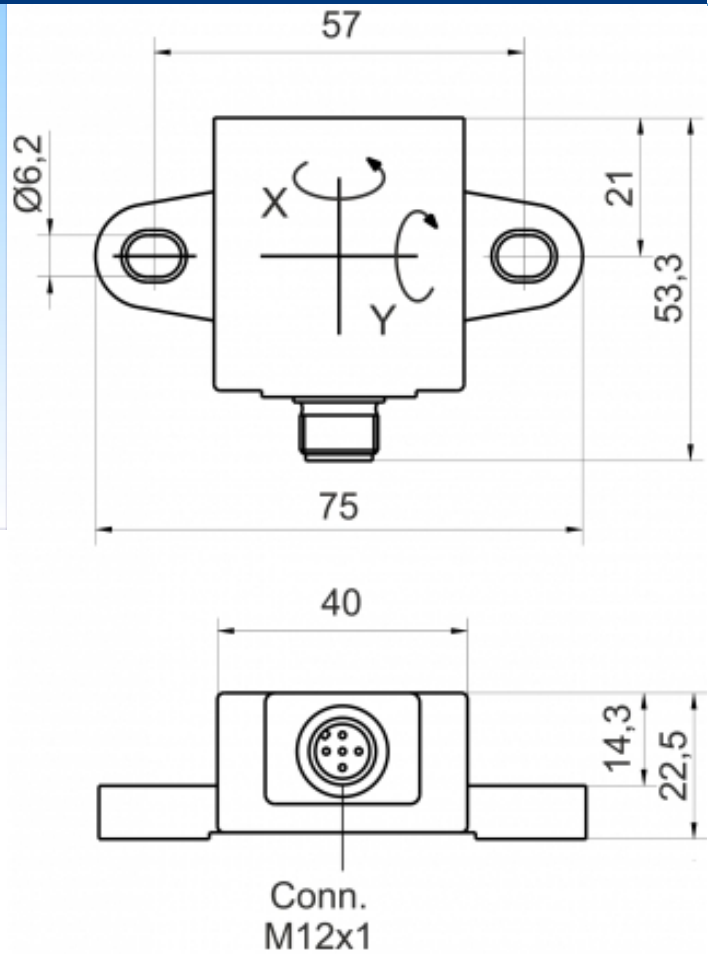
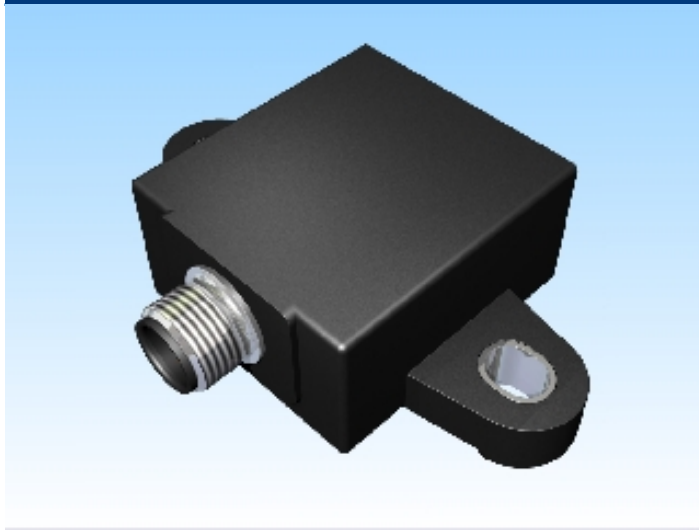




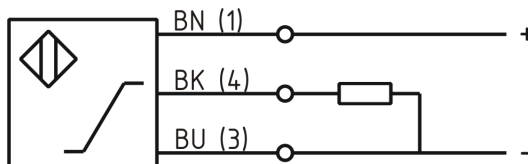
[Article Page](#)

Product Description

inclination sensor



Name	KN5-Q40KN-ANU-V2
Order number	08330000066
Mounting	 non shielded
Switch type	 analog voltage
Signal Type	Analog Voltage
Connection	connector M12
Connection diagramm	



Dimension (in mm)	Q 40 x 22,5 x 75
-------------------	------------------

Technical Specification

Operating voltage	12 - 30 V DC
Max. ripple	≤ 5 %
Max. load current	20 mA

No load current	≤ 20 mA
Threshold frequency	5 Hz
Operating temperature	-40 ° C to 85 ° C
Temperature drift	+/- 0,01 %/K
Repeat accuracy	≤ 5 % at Ta: 25°C
Analog output	Pulso_has1Output Voltage 0 ... 10 Volts
Real sensitivity	typ. 150 mV/V
Resolution	typ. 0,1 °
Accuracy	typ. 2 %FS
Inclination angle	+/- 5°
Measuring axis	X
Short-circuit proof	yes
Overload protection	yes
Reverse voltage protection	yes
Protection category	IP67
EMC-level	acc. to DIN EN 61326-1: 2013
Housing material	Plastic
Utilisation category	DC 13
Termination	Connector M12 4pin

Errors and omissions exceptet