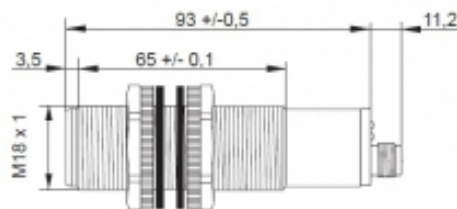




[Article Page](#)

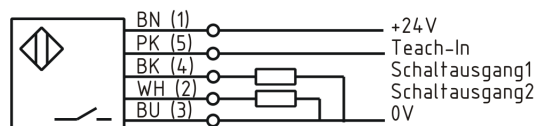
Product Description

ultrasonic sensor



| | |
|-------------------------------|--|
| Name | KURT2000-M18KB93-DPSS-V2 |
| Order number | 08400832063 |
| Matchcode | 9983-2063 |
| art_schaltabstand_einstellbar | yes |
| Switch type |  Switchable |
| Signal Type | DC PNP |
| Connection |  Connector |

Connection diagramm



| | |
|-------------------|----------|
| Dimension (in mm) | M18 x 93 |
|-------------------|----------|

Technical Specification

| | |
|-----------------------|-------------------|
| Signal type | Taster |
| Operating voltage | 15 - 30 VDC |
| Max. load current | 500 mA |
| No load current | < 35 mA |
| Switching frequency | 1,2 Hz |
| Operating temperature | -15 ° C to 70 ° C |
| Repeat accuracy | +/- 0,1% |
| Operating state | LED |
| Swiching state | LED |
| Carrier frequency | 180 kHz |
| Sound beam | ca. 8° |

| | |
|----------------------------|-----------------------|
| Measuring range | 20-200 cm |
| Short-circuit proof | yes |
| Overload protection | yes |
| Reverse voltage protection | yes |
| Protection category | IP67 |
| EMC-level | DIN EN 60947-5-2:2008 |
| Housing material | Plastic |
| Termination | Connector M12 5pol |

Errors and omissions exceptet