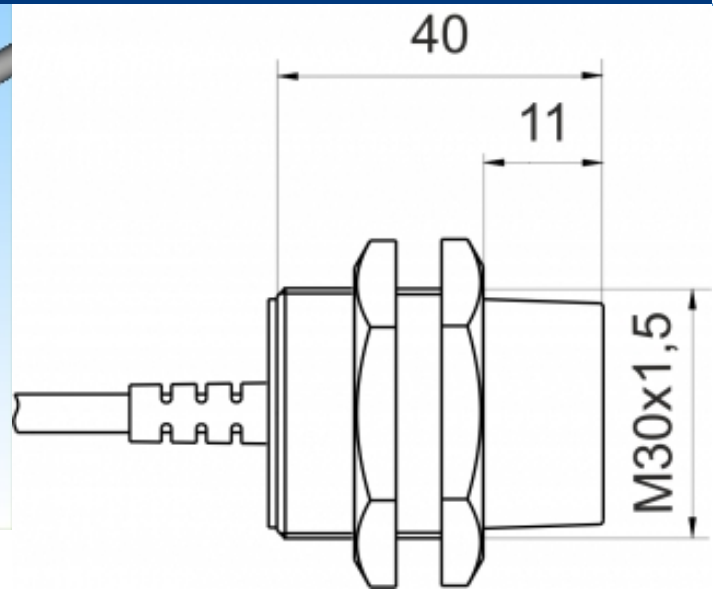
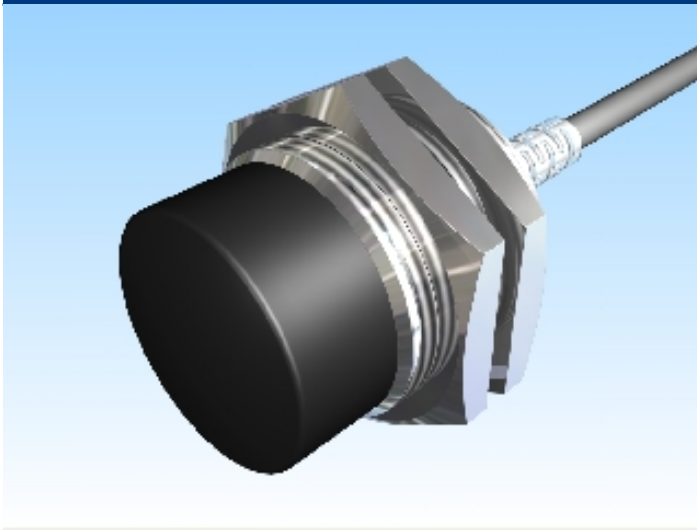

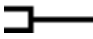


[Article Page](#)

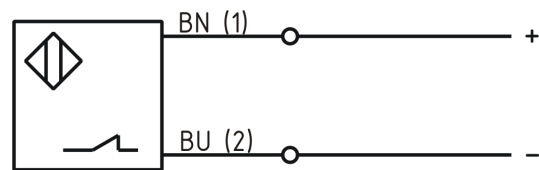
**Product Description**

**inductive sensor NAMUR**



|                    |  |
|--------------------|--|
| Name               | KJ15-M30MN40-NA  |
| Order number       | 08317320800  |
| Matchcode          | 9932-0800  |
| Switching distance | 15 mm  |
| Mounting           |  non shielded |
| Signal Type        | Namur  |
| Connection         |  Cable        |

Connection diagramm



|                   |                            |
|-------------------|----------------------------|
| Dimension (in mm) | fine-pitch thread M30 x 40 |
|-------------------|----------------------------|

**Technical Specification**

|                       |                   |
|-----------------------|-------------------|
| Operating voltage     | 6 - 12 V DC       |
| Max. ripple           | ≤ 5 %             |
| No load current       | ≤ 3,5 mA          |
| Switching frequency   | 300 Hz            |
| Operating temperature | -25 ° C to 60 ° C |
| Temperature drift     | ≤ 10 %            |
| Repeat accuracy       | ≤ 10 %            |
| Time delay            | 300 ms            |
| Short-circuit proof   | yes               |

|                                  |                          |
|----------------------------------|--------------------------|
| Overload protection              | yes                      |
| Reverse voltage protection       | yes                      |
| Protection category              | IP67                     |
| EMC-level                        | DIN EN 60947-5-6:2000-12 |
| Housing material                 | Brass, nickel plated     |
| Material active face             | PCB                      |
| Cable length                     | 2 m                      |
| Utilisation category             | DC 13                    |
| Cable material                   | PVC LIYY blau (blue)     |
| Nominal operating voltage        | 8,2 V DC                 |
| Cable cross                      | 2x0.25 mm <sup>2</sup>   |
| Load Current OFF                 | ca. 0,5 mA               |
| Load Current ON                  | ca. 3,5 mA               |
| FIT / MTTF acc. to SIEMENS 29500 | 16,88 / 6763y            |

**Errors and omissions exceptet**