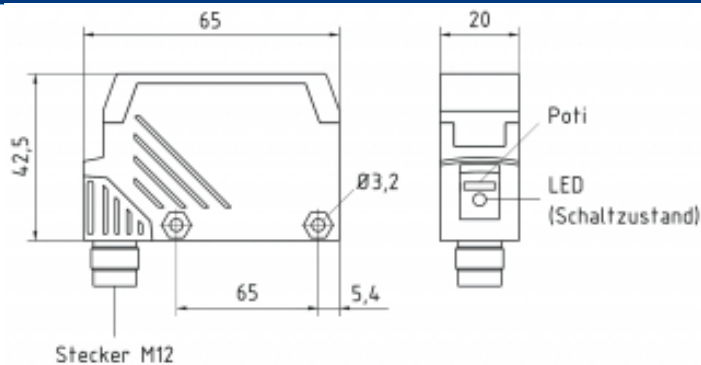




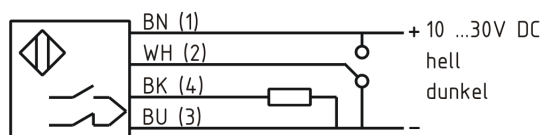
[Article Page](#)

Product Description **reflex light probe with background suppression**



Name	KORH500-Q64KB-DPU-V2-RT
Order number	08361215023
art_schaltabstand_einstellbar	yes
Switch type	 Switchable
Signal Type	PNP
Illuminant	 Red light 650 nm
Connection	connector M12

Connection diagramm



Dimension (in mm)	Q 20 x 60 x 43
-------------------	----------------

Technical Specification

Signal type	Background suppression sensor
Operating voltage	10 - 30 V DC
Max. load current	100 mA
No load current	< 35 mA
Switching frequency	33 Hz
Operating temperature	-25 ° C to 55 ° C
Switching state	LED
Working range	from 150 to 500 mm
Short-circuit proof	yes
Overload protection	yes
Reverse voltage protection	yes
Protection category	IP67
EMC-level	DIN EN 60947-5-2:2008
Housing material	Plastic

Errors and omissions excepted