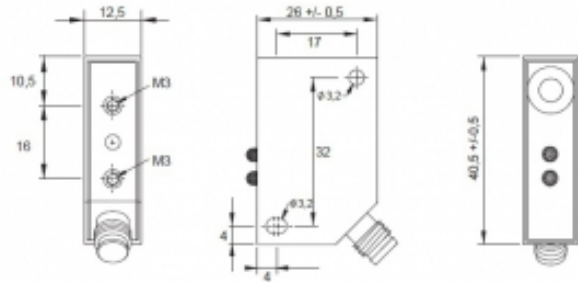

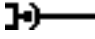
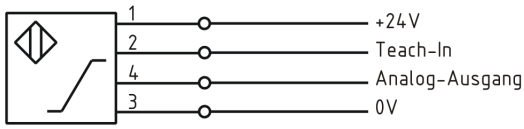


[Article Page](#)

Product Description

ultrasonic sensor



Name	KURT250-Q12KB-ANU-V1
Order number	08400834664
Matchcode	9983-4664
Switch type	 analog
Signal Type	Analog Voltage
Connection	 Connector
Connection diagramm	

Dimension (in mm)	Q 26 x 12 x 40.5
-------------------	------------------

Technical Specification

Signal type	Taster
Operating voltage	12 - 30 V DC
No load current	< 35 mA
Operating temperature	-15 ° C to 70 ° C
Repeat accuracy	≥ 0,2mm +/-0,2 %
Linearity	< 0,3 %
Operating state	LED
Analog output	Pulso_has10-10V
Time delay	10 ms
Carrier frequency	400 kHz
Sound beam	ca. 8°
Pulse rate of rise	teach in

Measuring range	2,5-25 cm
Short-circuit proof	yes
Overload protection	yes
Reverse voltage protection	yes
Protection category	IP67
EMC-level	DIN EN 60947-5-7:2004-06
Housing material	Plastic
Termination	Connector M8 4pol

Errors and omissions exceptet