


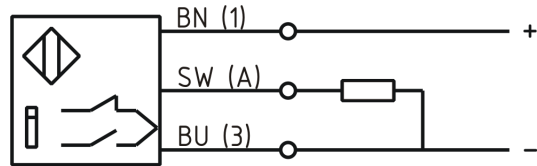


[Article Page](#)

Product Description **fork light barrier**

| | |
|--------------|--|
| Name | KOEG60-Q55AB-DPU-V1-RT |
| Order number | 08363333060 |
| Switch type |  Switchable |
| Signal Type | DC PNP |
| Illuminant |  Red light |
| Connection |  Connector |

Connection diagramm



| | |
|-------------------|--------------|
| Dimension (in mm) | 90 x 10 x 70 |
|-------------------|--------------|

Technical Specification

| | |
|-----------------------------|--------------------|
| Signal type | Throughbeam sensor |
| Operating voltage | 10 - 35 V DC |
| Max. load current | 200 mA |
| No load current | < 30 mA |
| Switching frequency | 2,5 |
| Operating temperature | -10 ° C to 60 ° C |
| Repeat accuracy | 0,01 mm |
| Swiching state | LED |
| Digital output | |
| Natural extraneous light | 50000 Lux |
| Artificial extraneous light | 50000 Lux |
| Material of light outlet | Glas |
| Sensitivity adjustable | ja |
| Short-circuit proof | yes |
| Protection category | IP67 |
| Housing material | Aluminum |
| Termination | Connector M8 3pol |

Errors and omissions exceptet