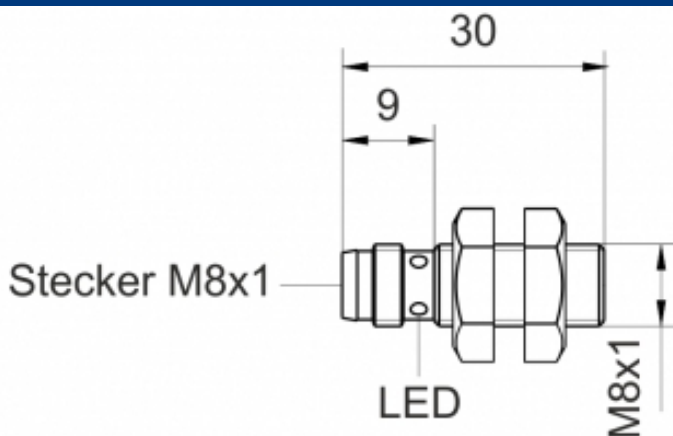
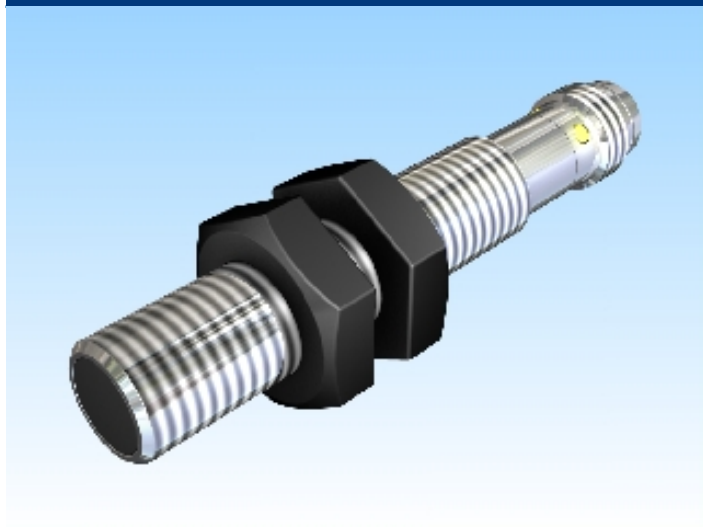





[Article Page](#)

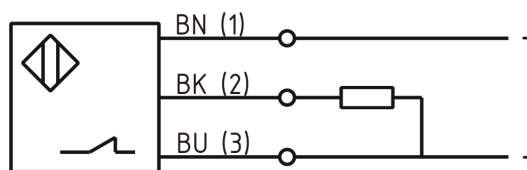
**Product Description**

**inductive sensor DC**



Name	KJ1,5-M8EB30-DPÖ-V1
Order number	08310000482
Switching distance	1,5 mm
Mounting	 shielded
Switch type	 N.C.
Signal Type	PNP
Connection	 Connector

Connection diagramm



Dimension (in mm)	fine-pitch thread MM8x1 x 30
-------------------	------------------------------

**Technical Specification**

Operating voltage	10 - 30 V DC
Max. ripple	≤ 10 %
Voltage drop	2,4 V
Max. load current	200 mA
No load current	≤ 10 mA
Leakage current	≤ 10 μA
Switching frequency	2000 Hz
Switching hysteresis	≤ 15 %
Temperature drift	≤ 10 %

Repeat accuracy	≤ 5 %
Switching state	LED
Short-circuit proof	yes
Overload protection	yes
Reverse voltage protection	yes
Protection category	IP 67
EMC-level	nach DIN EN 60947-5-2: 2008
Housing material	Stainless steel V2A
Material active face	Ultramid
Utilisation category	DC13

**Errors and omissions exceptet**