

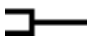
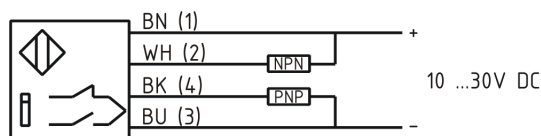


[Article Page](#)

**Product Description** **polarized reflex light barrier**

|              |  |
|--------------|--|
| Name         | KORP2000-Q31KB-DMU-RT  |
| Order number | 08362260017  |
| Matchcode    | MP-L2000D-CX6C4U2-PF   |
| Switch type  |  Switchable       |
| Signal Type  | DC PNP/NPN   |
| Illuminant   |  Red light 650 nm |
| Connection   |  Cable            |

Connection diagramm



|                   |              |
|-------------------|--------------|
| Dimension (in mm) | 12 x 31 x 30 |
|-------------------|--------------|

**Technical Specification**

|                            |                                  |
|----------------------------|----------------------------------|
| Signal type                | Polarized retroreflective sensor |
| Operating voltage          | 10 - 30 V DC                     |
| Max. load current          | 150 mA                           |
| No load current            | < 25 mA                          |
| Switching frequency        | 500                              |
| Operating temperature      | -25 ° C to 70 ° C                |
| Swiching state             | LED                              |
| Digital output             |                                  |
| Measuring range            | 2 m                              |
| Sensitivity adjustable     | ja                               |
| Sensing range adjustable   | nein                             |
| Short-circuit proof        | yes                              |
| Overload protection        | yes                              |
| Reverse voltage protection | yes                              |
| Protection category        | IP67                             |
| EMC-level                  | DIN EN 60947-5-2:2008            |
| Housing material           | Plastic                          |
| Termination                | 2m PVC 4x0,5mm <sup>2</sup>      |

**Errors and omissions exceptet**