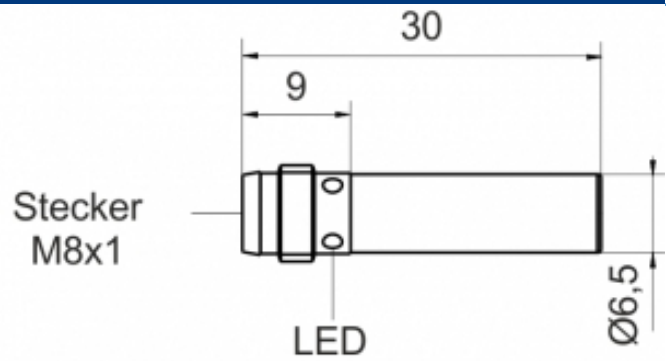



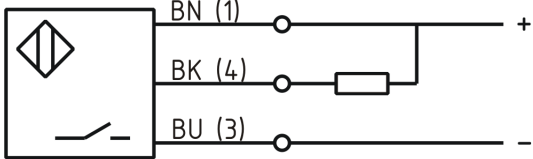


[Article Page](#)

Product Description

inductive sensor DC



Name	KJ2-G6,5EB30-DNS-V1
Order number	08313650231
Switching distance	2 mm
Mounting	 shielded
Switch type	 N.O.
Signal Type	DC NPN
Connection	 Connector
Connection diagramm	

Dimension (in mm)	6,5 x x 30
-------------------	------------

Technical Specification

Operating voltage	10 - 30 VDC
Max. ripple	≤ 10 %
Voltage drop	2,4 V
Max. load current	200 mA
No load current	≤ 10 mA
Leakage current	≤ 10 µA
Switching frequency	2000 Hz
Switching hysteresis	15 %
Operating temperature	-25 ° C to 70 ° C

Temperature drift	10 %
Repeat accuracy	5 %
Swiching state	LED
Short-circuit proof	yes
Overload protection	yes
Reverse voltage protection	yes
Protection category	IP67
EMC-level	DIN EN 60947-5-2:2008
Housing material	Stainless steel V2A
Material active face	PBT
Termination	Connector M8 3pol

Errors and omissions exceptet