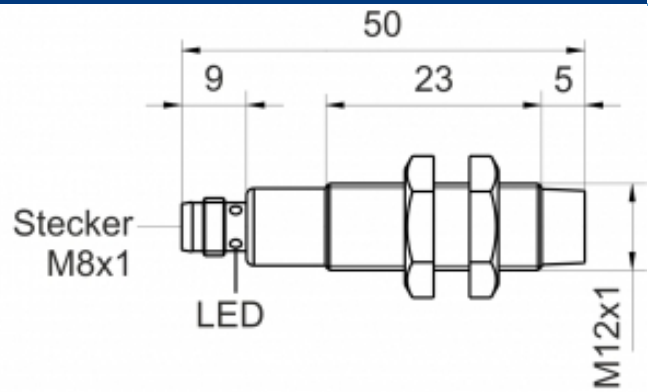
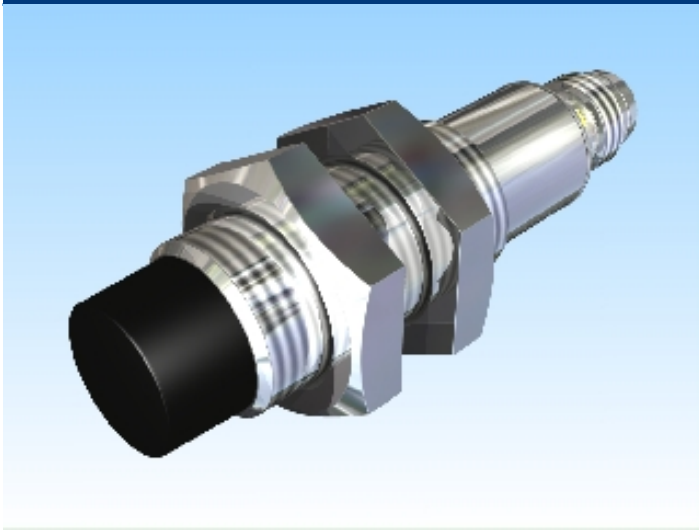





[Article Page](#)

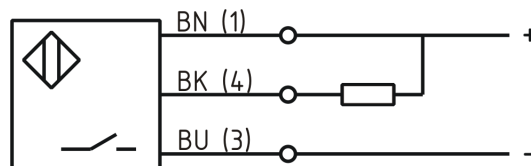
**Product Description**

**inductive sensor DC**



|                    |  |
|--------------------|--|
| Name               | KJ4-M12MN50-DNS-V1   |
| Order number       | 08317822364  |
| Matchcode          | 9982-2364  |
| Switching distance | 4 mm   |
| Mounting           |  non shielded |
| Switch type        |  N.O.         |
| Signal Type        | DC NPN   |
| Connection         |  Connector    |

Connection diagramm



|                   |                            |
|-------------------|----------------------------|
| Dimension (in mm) | fine-pitch thread M12 x 50 |
|-------------------|----------------------------|

**Technical Specification**

|                      |             |
|----------------------|-------------|
| Operating voltage    | 10 - 30 VDC |
| Max. ripple          | ≤ 10 %      |
| Voltage drop         | 2,4 V       |
| Max. load current    | 200 mA      |
| No load current      | ≤ 13 mA     |
| Leakage current      | < 10 μA     |
| Switching frequency  | 1000 Hz     |
| Switching hysteresis | ≤ 15 %      |

|                            |                       |
|----------------------------|-----------------------|
| Operating temperature      | -25 ° C to 70 ° C     |
| Temperature drift          | ≤ 10 %                |
| Repeat accuracy            | ≤ 10 %                |
| Swiching state             | LED                   |
| Short-circuit proof        | yes                   |
| Overload protection        | yes                   |
| Reverse voltage protection | yes                   |
| Protection category        | IP67                  |
| EMC-level                  | DIN EN 60947-5-2:2008 |
| Material active face       | PA 6.6                |
| Utilisation category       | DC 13                 |
| Termination                | Connector M8 3pol     |
| FIT / MTTF                 | 53,34 / 2140y         |

**Errors and omissions exceptet**