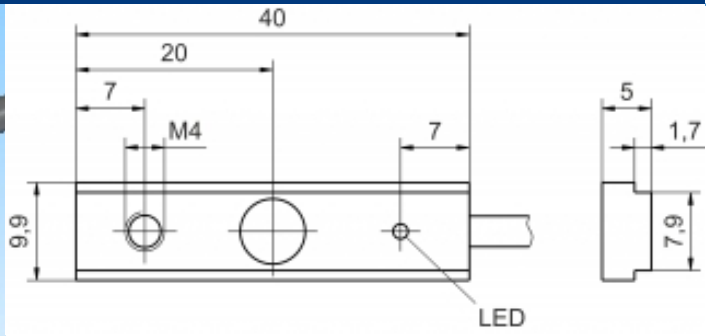
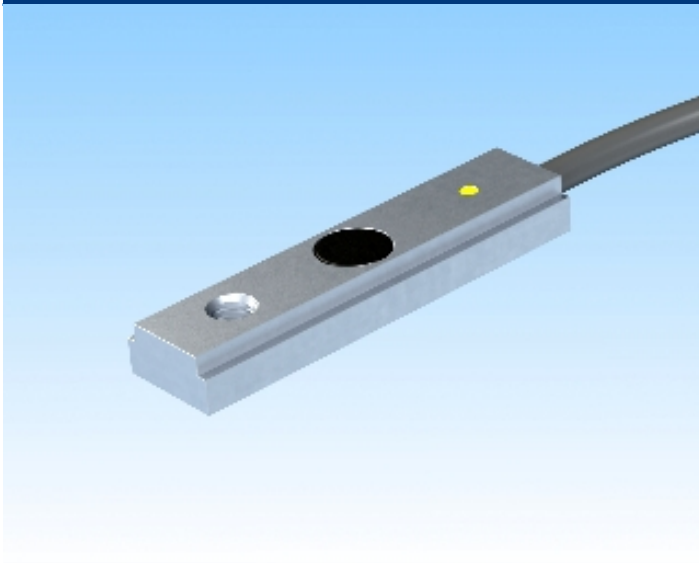





[Article Page](#)

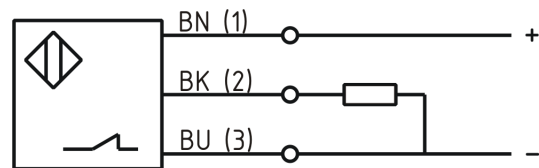
Product Description

inductive sensor DC



Name	KJ2-Q9,9AB-DPÖ
Order number	08310000544
Switching distance	2 mm
Mounting	 shielded
Switch type	 N.C.
Signal Type	DC PNP
Connection	 Cable

Connection diagramm



Dimension (in mm)	Q 9,9 x 5 x 40
-------------------	----------------

Technical Specification

Operating voltage	10 - 30 VDC
Max. ripple	≤ 10 %
Voltage drop	2,4 V
Max. load current	200 mA
No load current	≤ 13 mA
Leakage current	≤ 10 μA
Switching frequency	1000
Switching hysteresis	≤ 15 %
Operating temperature	-25 ° C to 70 ° C

Temperature drift	≤ 10 %
Repeat accuracy	≤ 5 %
Swiching state	LED
Short-circuit proof	yes
Overload protection	yes
Reverse voltage protection	yes
Protection category	IP67
EMC-level	DIN EN 60947-5-2: 2008
Housing material	Aluminum
Material active face	PA 6.6
Cable length	2 m
Utilisation category	DC 13
Cable material	PVC LIYY grau
Cable cross	3x0.14 mm ²

Errors and omissions exceptet